

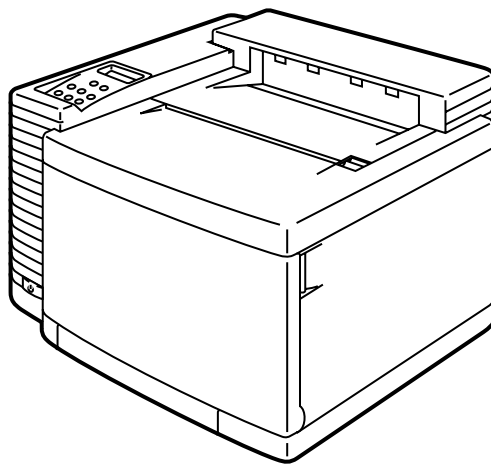


# Brother Laser Printer **PARTS REFERENCE LIST**

---

---

**MODEL: HL-2600CN**



Read this list thoroughly before maintenance work.

Keep this list in a convenient place for quick and easy reference at all times.

## NOTE FOR USING THIS PARTS REFERENCE LIST

1. In the case of ordering parts, it needs mentioning the following items:

- (1) Code
- (2) Q'ty
- (3) Description
- (4) Symbol ( PCB No., Revision , and Parts location mounted on the PCB.)

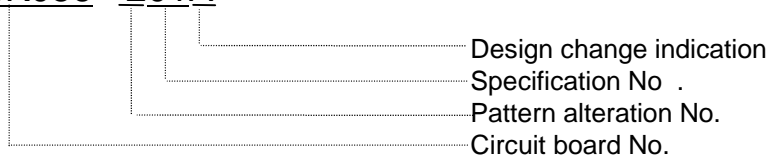
*Note : No orders without Parts Code or Tool No. can be accepted.*

< Example >

REF.NO.	CODE	Q'TY	DESCRIPTION	SYMBOL	REMARK

Revision No.: marked on the **main printed circuit board**.

**B48K056 - 201A**



Revision No.: marked on the **power supply PCB**.

**Rev. 0B**



2. Design-changed parts :

If the parts are changed, any one of the following symbols is indicated in the REMARKS column.

- #A : compatible between old and new
- #B : replaceable from old to new
- #D : incompatible
- # : newly established

3. The original of this list was made based on the information available in October, 2001.

4. Parts are subject to change in design without prior notice.

# CONTENTS

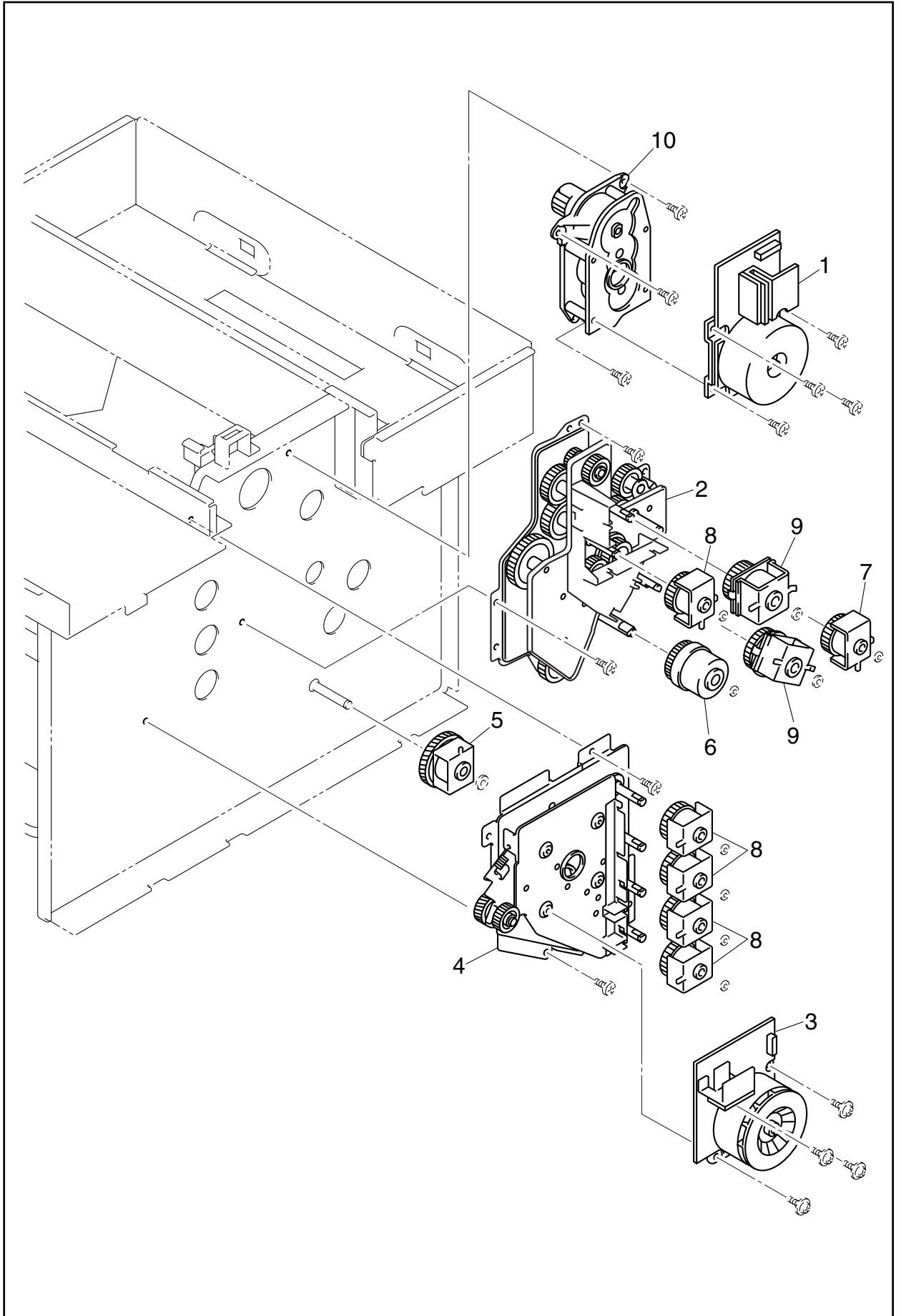
1. DRIVE .....	1
2. FRAME .....	3
3. SCANNER UNIT.....	5
4. MEDIA CASSETTE .....	5
5. TRANSFER UNIT .....	7
6. PAPER EXIT UNIT .....	7
7. FUSING UNIT.....	9
8. MAIN PCB .....	11
9. COVER.....	13
10. MCTL PCB .....	15
11. IOD PCB.....	15
12. POWER SUPPLY UNIT .....	17
13. HIGH VOLTAGE POWER SUPPLY.....	17
14. AC CORDS .....	19
15. ACCESSORIES .....	19
16. PACKING MATERIALS.....	21
17. PERIODICAL REPLACEMENT PARTS .....	21
18. HARD DISK .....	23

1. DRIVE

REF.NO	CODE	Q'TY	DESCRIPTION	REMARK
1	LJ3914001	1	MAIN MOTOR 2	
2	LJ3916001	1	MAIN GEAR UNIT 2	
3	LJ3917001	1	DEVELOPER MOTOR 2	
4	LJ3918001	1	DEVELOPER DRIVE UNIT 2	
5	UH3494001	1	PAPER PICK-UP CLUTCH	
6	UH3495001	1	REGISTRATION CLUTCH	
7	UH3496001	1	FIXING CLUTCH	
8	LJ3913001	5	DEVELOPER CLUTCH 2	
9	LJ2230001	2	TR CAM CLUTCH 3	
10	LJ3915001	1	BD GEAR ASSY 2	

MODEL HL-2600CN 54S303

1. DRIVE



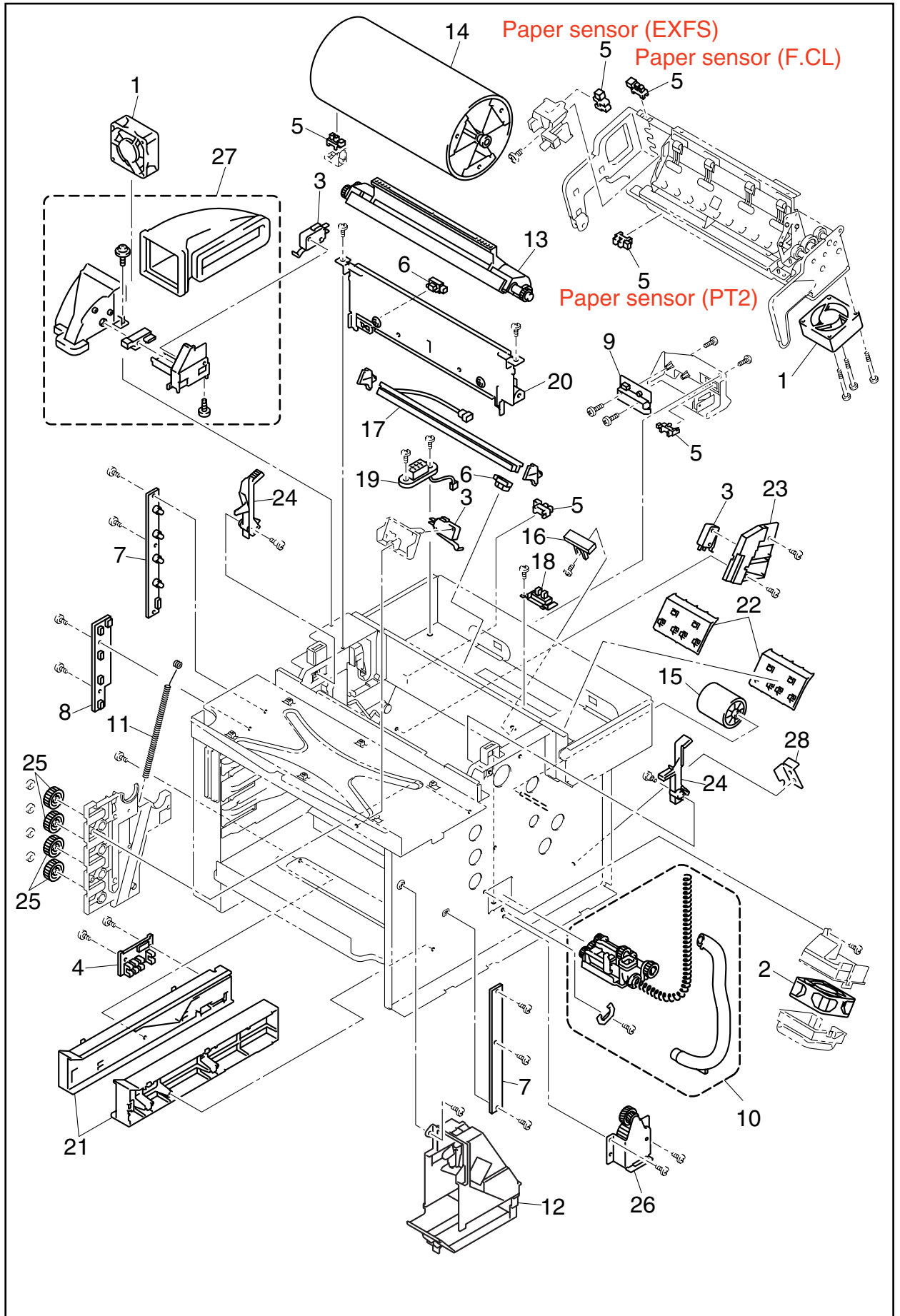
MODEL HL-2600CN 54S303

## 2. FRAME

REF.NO	CODE	Q'TY	DESCRIPTION	REMARK
1	LJ3898001	2	COOLING FAN (EX) 2	
2	LM0309001	1	COOLING FAN (OZ) 2	
3	UH1946001	3	INTERLOCK SW	
4	LJ8936001	1	PAPER SIZE SENSOR 2	
5	UH1948001	6	PAPER SENSOR	
6	UH1949001	2	BELT SENSOR	
7	UH1950001	1	TONER SENSOR ASSY	
8	LJ3922001	1	TONER KEY SENSOR 2	
9	LJ2243001	1	OHP SENSOR 3	
10	LJ3927001	1	WASTE TONER FEEDER (U) 2	
11	LJ3909001	1	WT U SPRING	
12	LJ3923001	1	WT HOLDER ASSY 2	
13	LJ3879001	1	DRUM CLEANER 2	
14	LJ3924001	1	TRANSFER DRUM 2	
15	UH3485001	1	PAPER PICK-UP ROLLER	
16	LJ2317001	1	SEPARATION PAD (2)	
17	UH3487001	1	ERASE LAMP	
18	UH3488001	1	OIL SENSOR	
19	UH3492001	1	FUSER CONNECTOR (2)	
20	LJ3921001	1	WASTE TONER FEEDER (L) 2	
21	LJ3907001	1	FP CASSETTE GUIDE SET L	
21	LJ3908001	1	FP CASSETTE GUIDE SET R	
22	LJ3728001	1	SL-3 PAPER GUIDE D	
23	LJ3910001	1	TR TERMINAL BASE ASSY	
24	LJ3902001	1	BC LOCK LEVER (SET)	
25	LJ3919001	1	DEV.DRIVE GEAR 2 (4 PCS)	
26	LJ3920001	1	FP2 GEAR ASSY	
27	LJ3942001	1	SL2 PS FAN ASSY	
28	LJ3943001	1	TR3 HINGE SUPPORT	

MODEL HL-2600CN 54S303

## 2. FRAME



MODEL HL-2600CN 54S303

3. SCANNER UNIT

REF.NO	CODE	Q'TY	DESCRIPTION	REMARK
1	LJ3928001	1	OPTICAL UNIT 2	

MODEL HL-2600CN 54S303

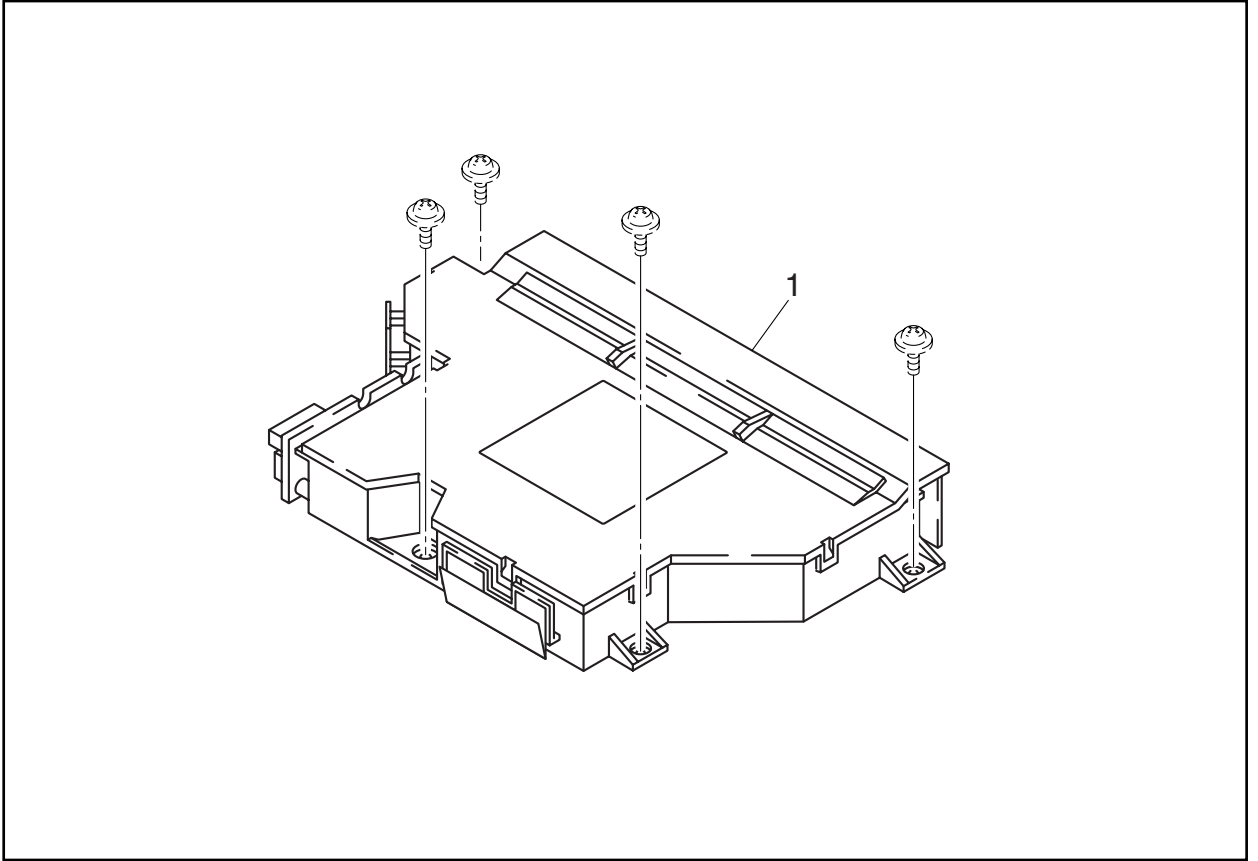
4. MEDIA CASSETTE

REF.NO	CODE	Q'TY	DESCRIPTION	REMARK
1	LJ3880001	1	PAPER CASSETTE 2	

MODEL HL-2600CN 54S303

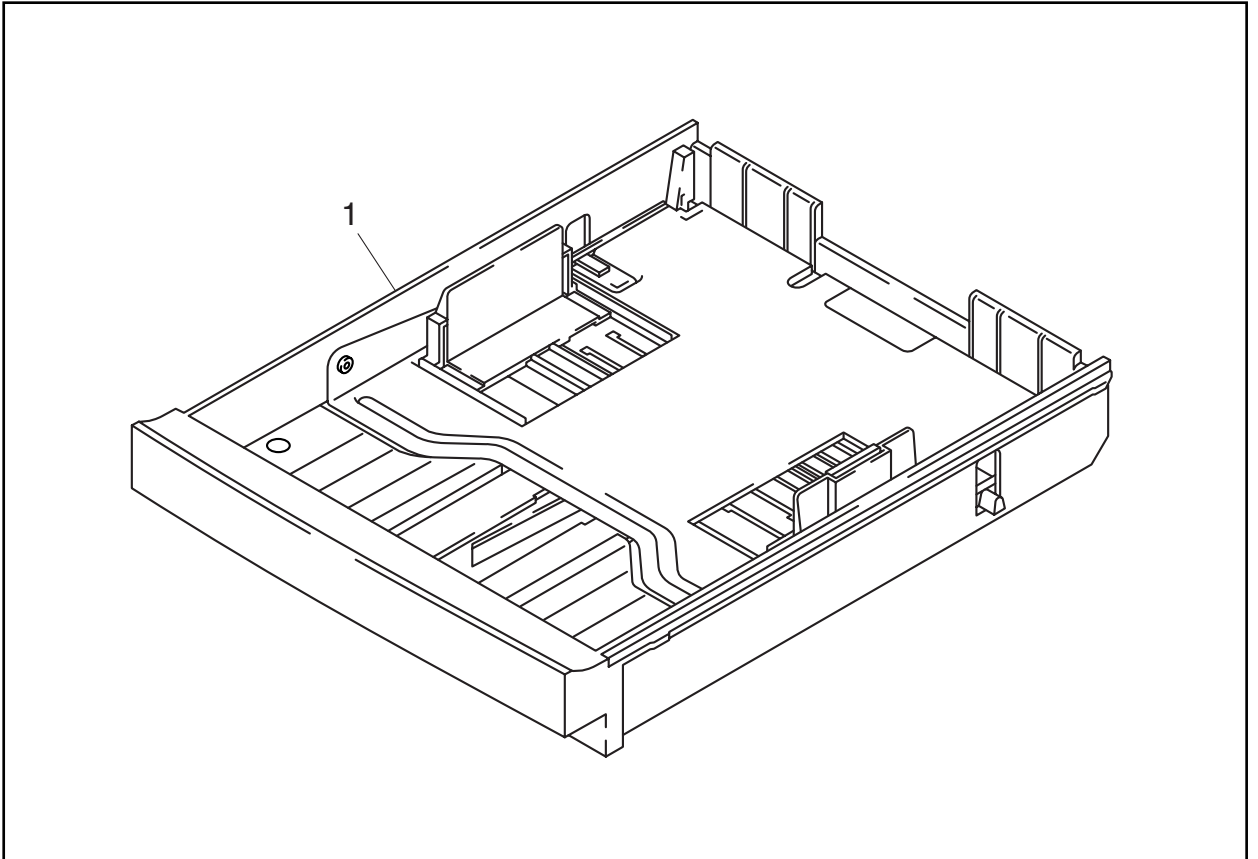


### 3. SCANNER UNIT



MODEL HL-2600CN 54S303

### 4. MEDIA CASSETTE



MODEL HL-2600CN 54S303

5. TRANSFER UNIT

REF.NO	CODE	Q'TY	DESCRIPTION	REMARK
1	LJ3881001	1	TRANSFER UNIT 2	
1-1	LJ3877001	1	TRANSFER ROLLER 2	
1-2	LJ3878001	1	PAPER DISCHARGER 2	
1-3	LJ3882001	1	REGISTRATION ROLLER 2	

MODEL HL-2600CN 54S303

6. PAPER EXIT UNIT

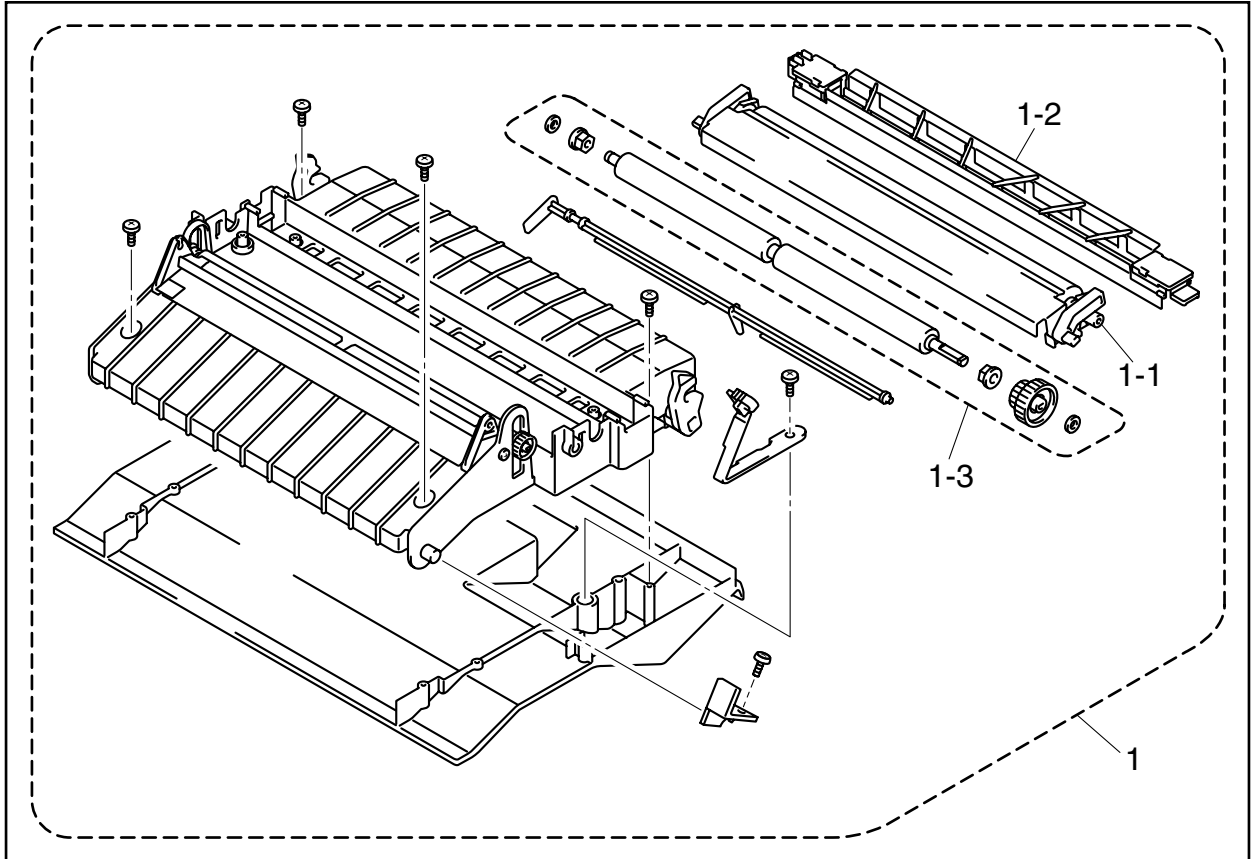
PR2002110

REF.NO	CODE	Q'TY	DESCRIPTION	REMARK
1	LJ3899001	1	PAPER EXIT UNIT 2 E	NAME CHNG
1-1	LJ3889001	1	PAPER EXIT UNIT COVER 2	
1-2	LJ3890001	1	PAPER EXIT FRONT COVER 2	
1-3	LJ3900001	1	PAPER EXIT ROLLER	
1-4	UH3463001	1	DISCHARGING BRUSH	
1-5	LJ3903001	1	P.EX SWITCH GUIDE	

MODEL HL-2600CN 54S303

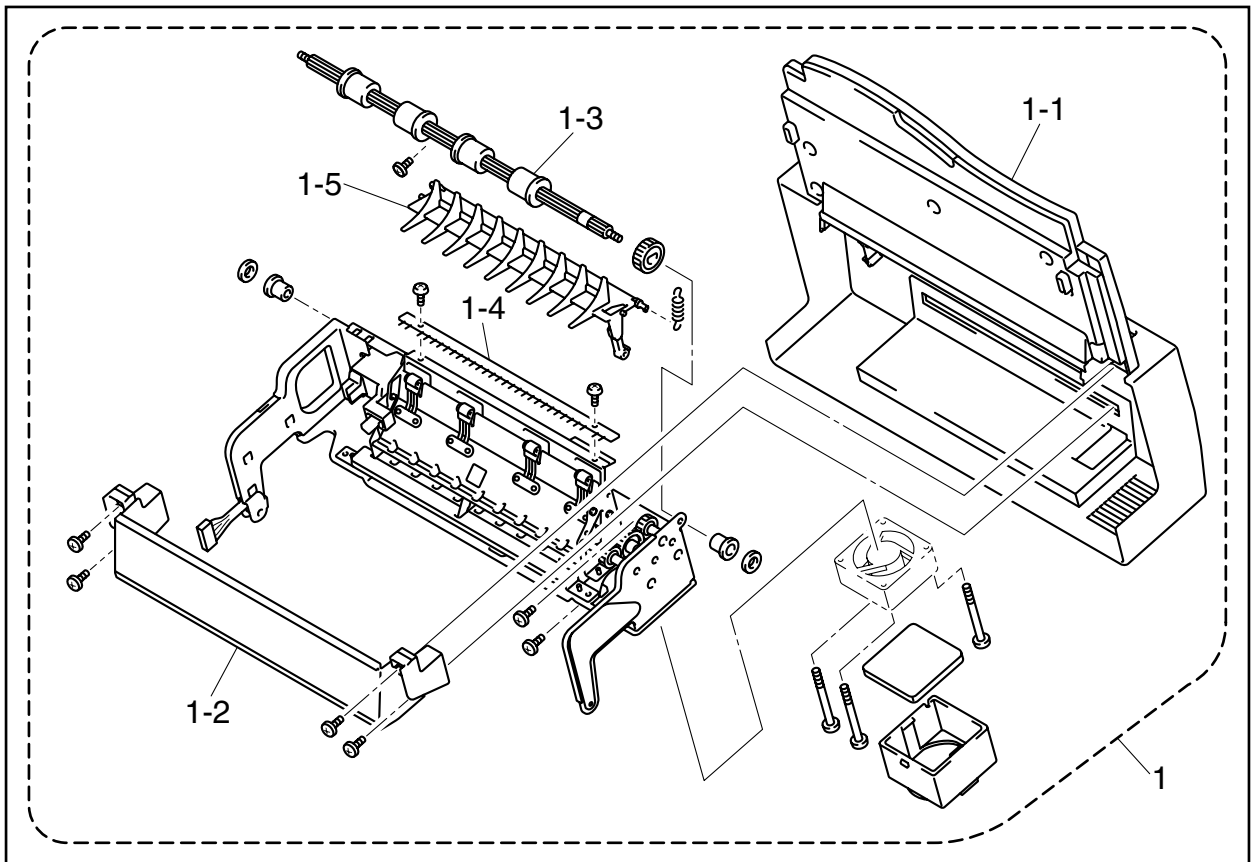
T/I NO. PR2002110

## 5. TRANSFER UNIT



MODEL HL-2600CN 54S303

## 6. PAPER EXIT UNIT



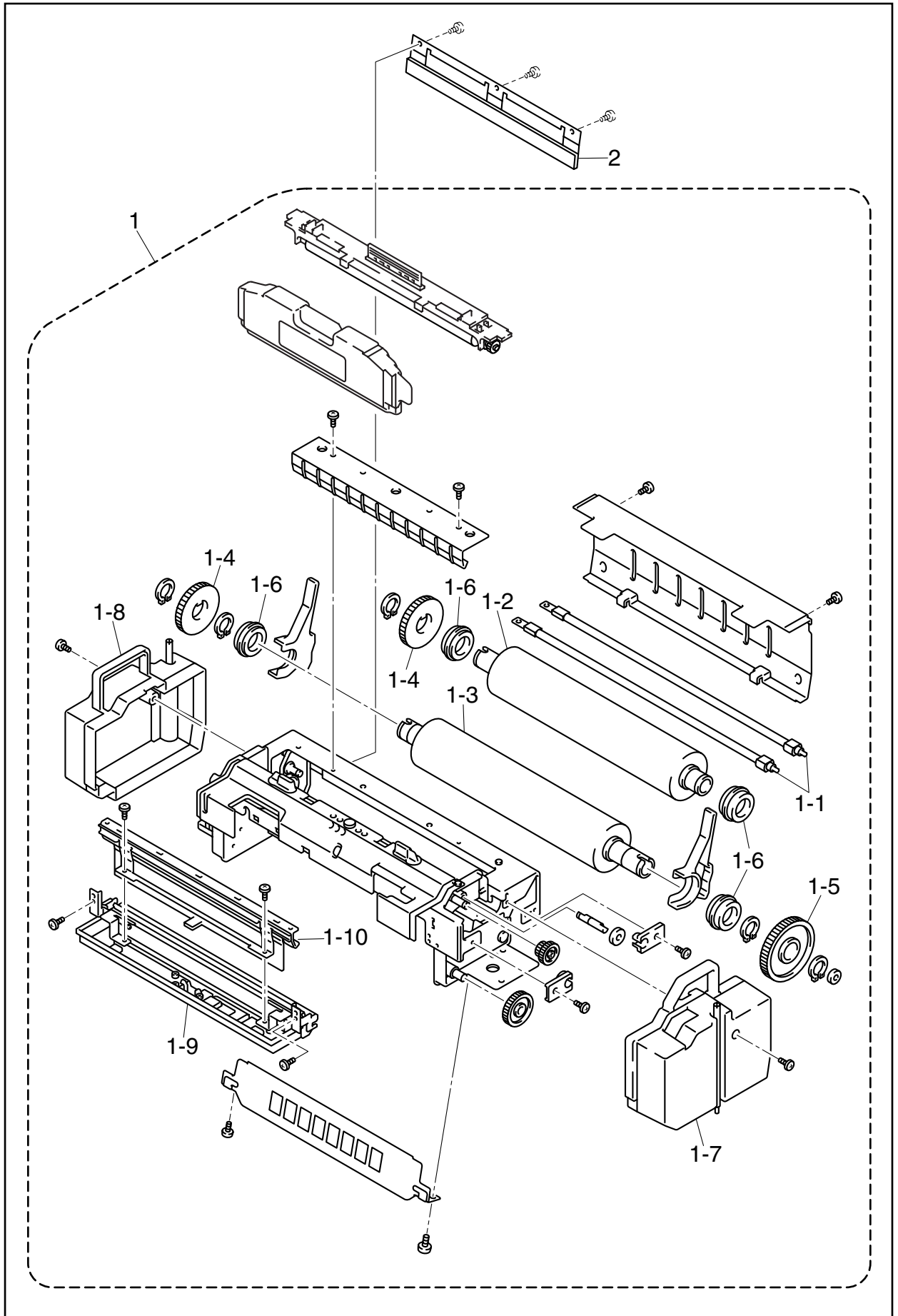
MODEL HL-2600CN 54S303

7. FUSING UNIT

REF.NO	CODE	Q'TY	DESCRIPTION	REMARK
1	LJ3875001	1	FUSING UNIT (US) 2	
1	LJ3876001	1	FUSING UNIT (EC) 2	
1-1	LJ3930001	1	FUSING HEATER (US) 2	
1-1	LJ3931001	1	FUSING HEATER (EC) 2	
1-2	LJ3932001	1	BACK-UP ROLLER 2	
1-3	LJ3933001	1	FUSING ROLLER 2	
1-4	LJ3934001	2	GEAR (FU) (BR) 2	
1-5	LJ3935001	1	FU2 GEAR 63	
1-6	LJ3936001	4	BALL BEARING FU 2 (2PCS)	
1-7	LJ3937001	1	FUSER COVER (R) 2	
1-8	LJ3938001	1	FUSER COVER (L) 2	
1-9	LJ3939001	1	OIL PAN UNIT 2	
1-10	LJ3940001	1	FU FELT ASSY 2	
2	LJ3941001	1	BR FELT ASSY 2	

MODEL HL-2600CN 54S303

## 7. FUSING UNIT



MODEL HL-2600CN 54S303

8. MAIN PCB

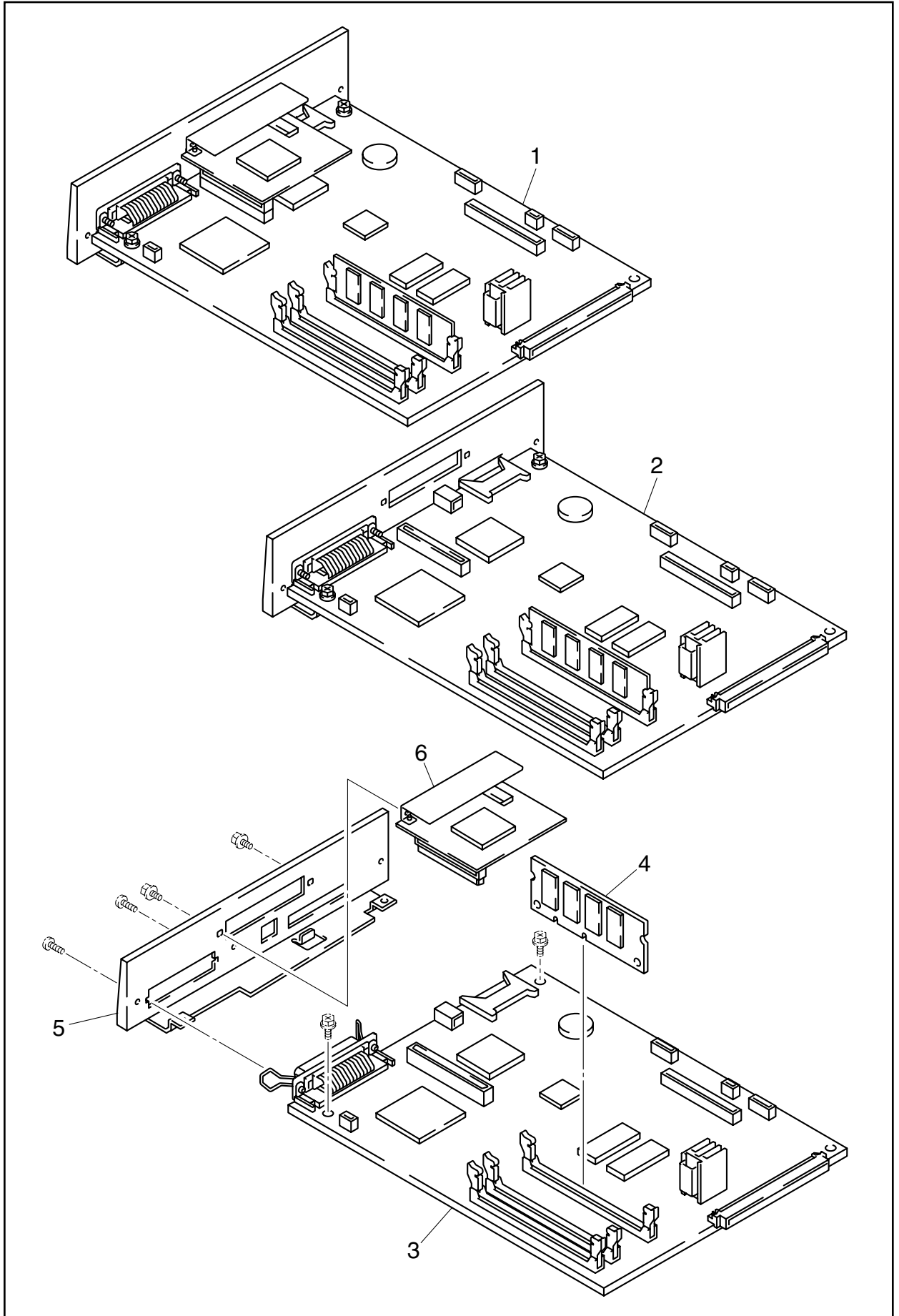
PR2002083

REF.NO	CODE	Q'TY	DESCRIPTION	SYMBOL	REMARK
1	LJ8900001	1	MAIN PCB ASSY, HL2600CN	100K	VER.CHNG
2	LJ8903001	1	DIMM:PM-HP-64M-BR		
3	LJ3733001	1	MAIN PCB BASE PLATE		
4	LJ8671001	1	BRNET PCB UNIT 4100H		

MODEL HL-2600CN 54S303

T/I NO. PR2002007 / PR2002034 / PR2002077 / PR2002083

## 8. MAIN PCB



MODEL HL-2600CN 54S303

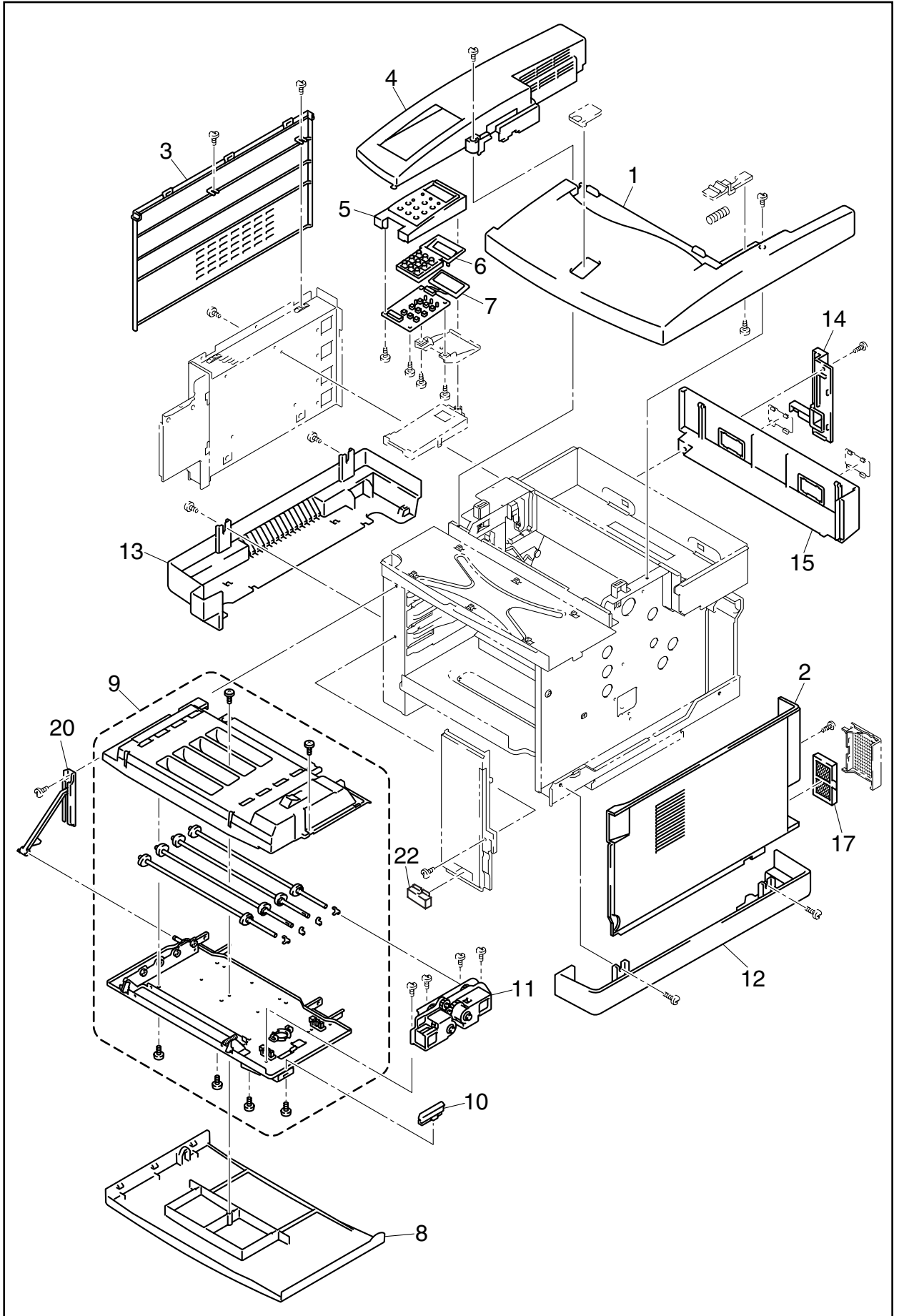
## 9. COVER

REF.NO	CODE	Q'TY	DESCRIPTION	REMARK
1	LJ3884001	1	TOP COVER ASSY 2	
2	LJ3885001	1	SIDE COVER (R) 2	
3	LJ3886001	1	SIDE COVER (L) 2	
4	LJ3887001	1	UPPER SIDE COVER (L) 2	
5	LJ3901001	1	PANEL CASE ASSY	
6	LJ3897001	1	PANEL BUTTON	
7	UH3456001	1	PANEL PWB	
8	LJ3888001	1	FRONT COVER 2	
9	LJ3895001	1	FRONT COVER UNIT 2	
10	LJ3904001	1	FRONT COVER CATCH	
11	LJ3906001	1	DE SOLENOID ASSY	
12	LJ3891001	1	BASE COVER (R) 2	
13	LJ3892001	1	BASE COVER (L) 2	
14	LJ3893001	1	REAR COVER 2	
15	LJ3894001	1	REAR COVER (U) 2	
16	LM0310001	1	OZONE FILTER E	
17	LJ3912001	1	S PLATE 2 (R)	
18	LJ3905001	1	FD2 ARM ASSY	
19	LJ3911001	1	HINGE BASE 2 (L,R)	
20	LJ3929001	1	SW BUTTON	

MODEL HL-2600CN 54S303



## 9. COVER



MODEL HL-2600CN 54S303

10. MCTL PCB

REF.NO	CODE	Q'TY	DESCRIPTION	SYMBOL	REMARK
1	LJ8935001	1	MCTL PWB 2		

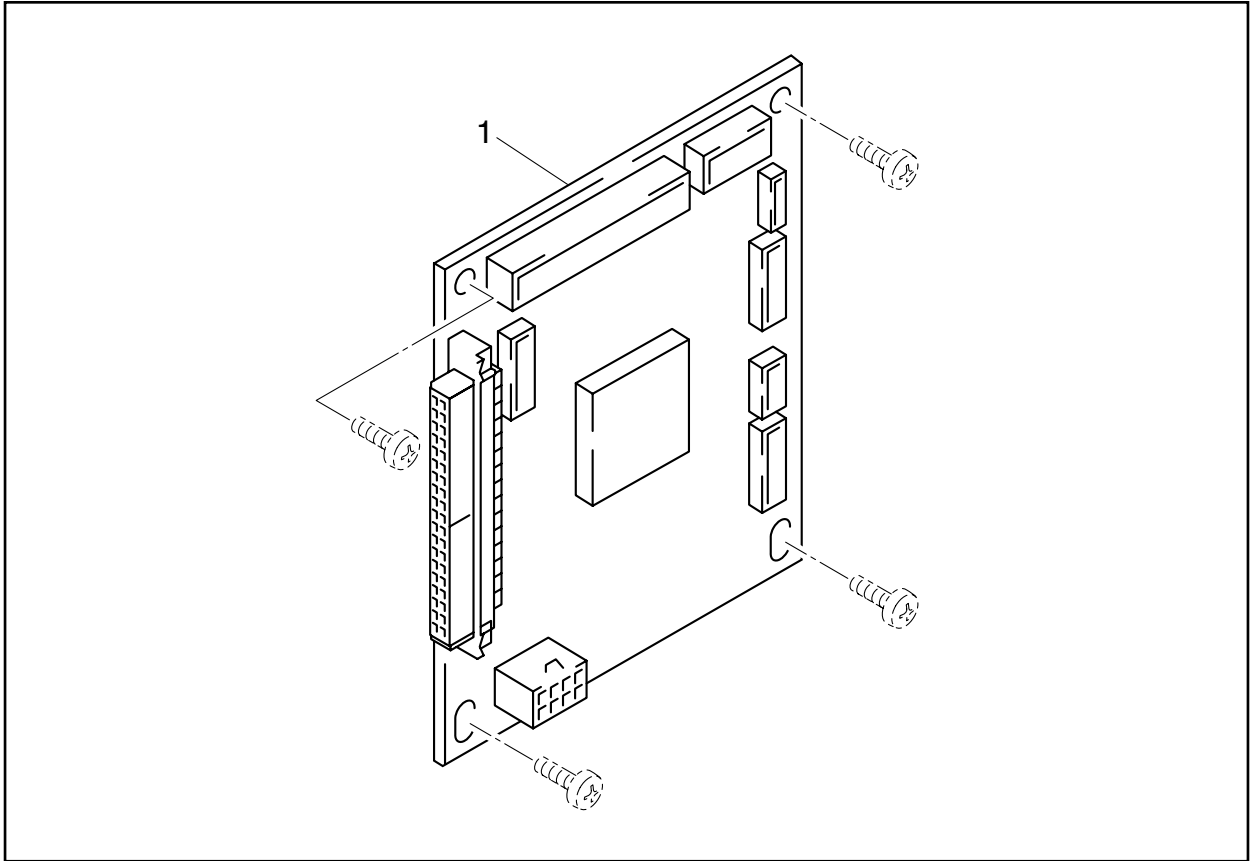
MODEL HL-2600CN 54S303

11. IOD PCB

REF.NO	CODE	Q'TY	DESCRIPTION	REMARK
1	LJ8937001	1	IOD1 PWB 2	
2	LJ8939001	1	IOD2 PWB	

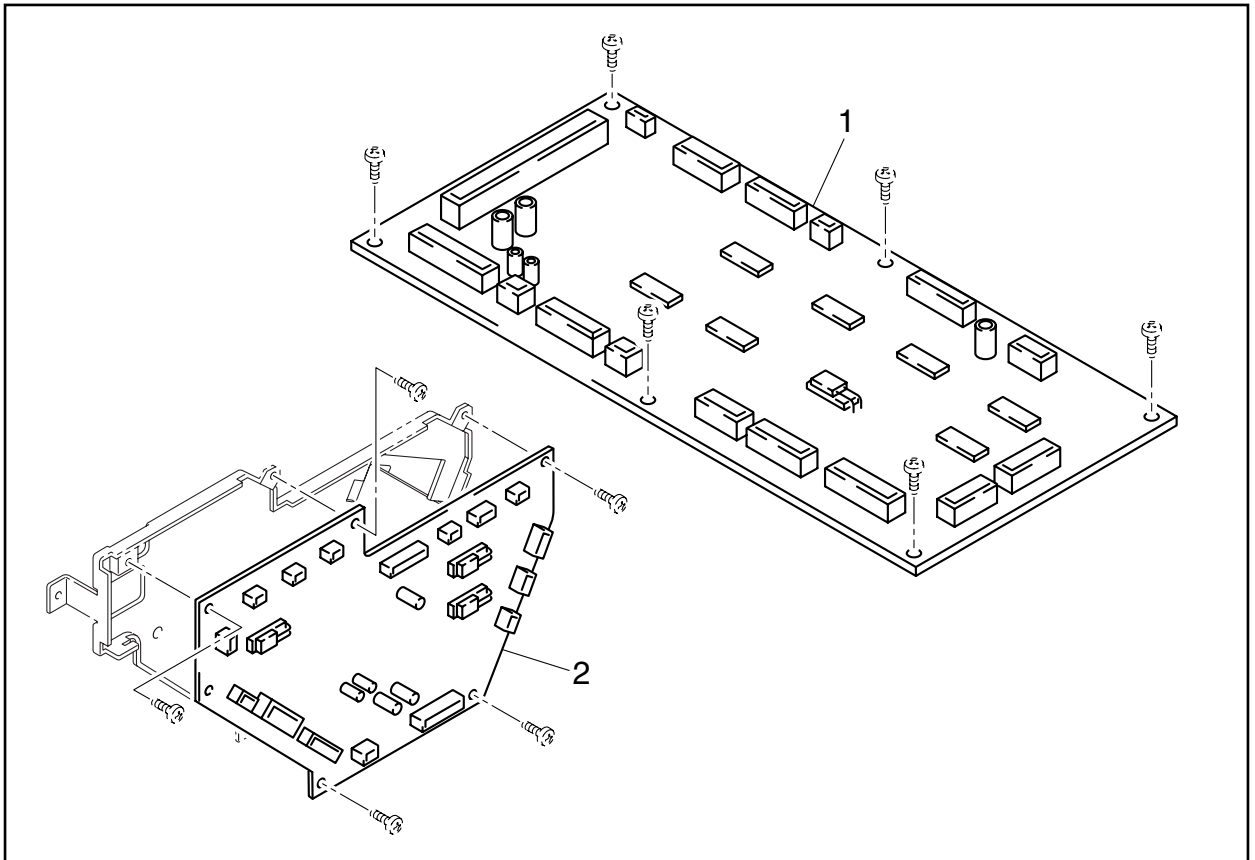
MODEL HL-2600CN 54S303

## 10. MCTL PCB



MODEL HL-2600CN 54S303

## 11. IOD PCB



MODEL HL-2600CN 54S303

12. POWER SUPPLY UNIT

REF.NO	CODE	Q'TY	DESCRIPTION	SYMBOL	REMARK
1	LJ3925001	1	POWER SUPPLY UNIT (US) 2	Rev: B	
1	LJ3926001	1	POWER SUPPLY UNIT EC (EU) 2	Rev: B	

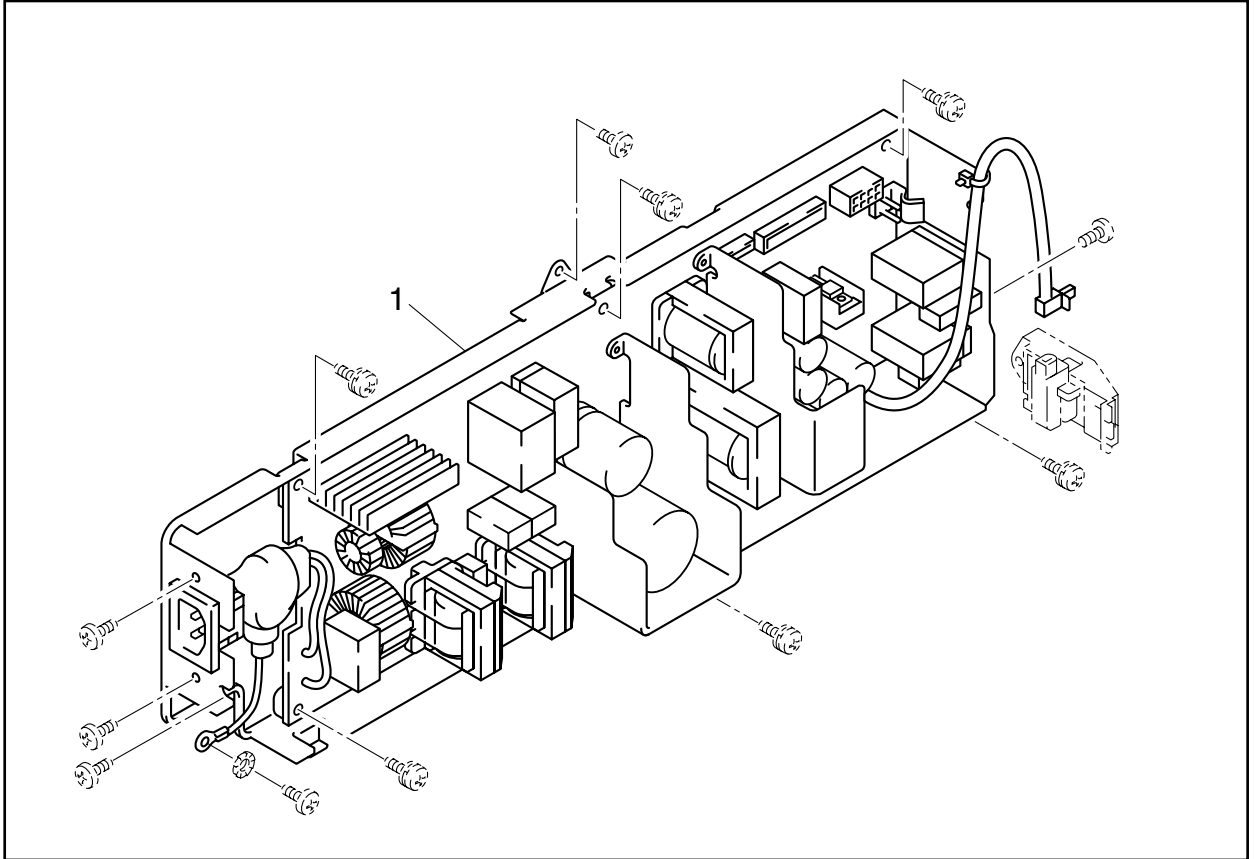
MODEL HL-2600CN 54S303

13. HIGH VOLTAGE POWER SUPPLY

REF.NO	CODE	Q'TY	DESCRIPTION	REMARK
1	LJ3896001	1	HIGH VOLTAGE UNIT	

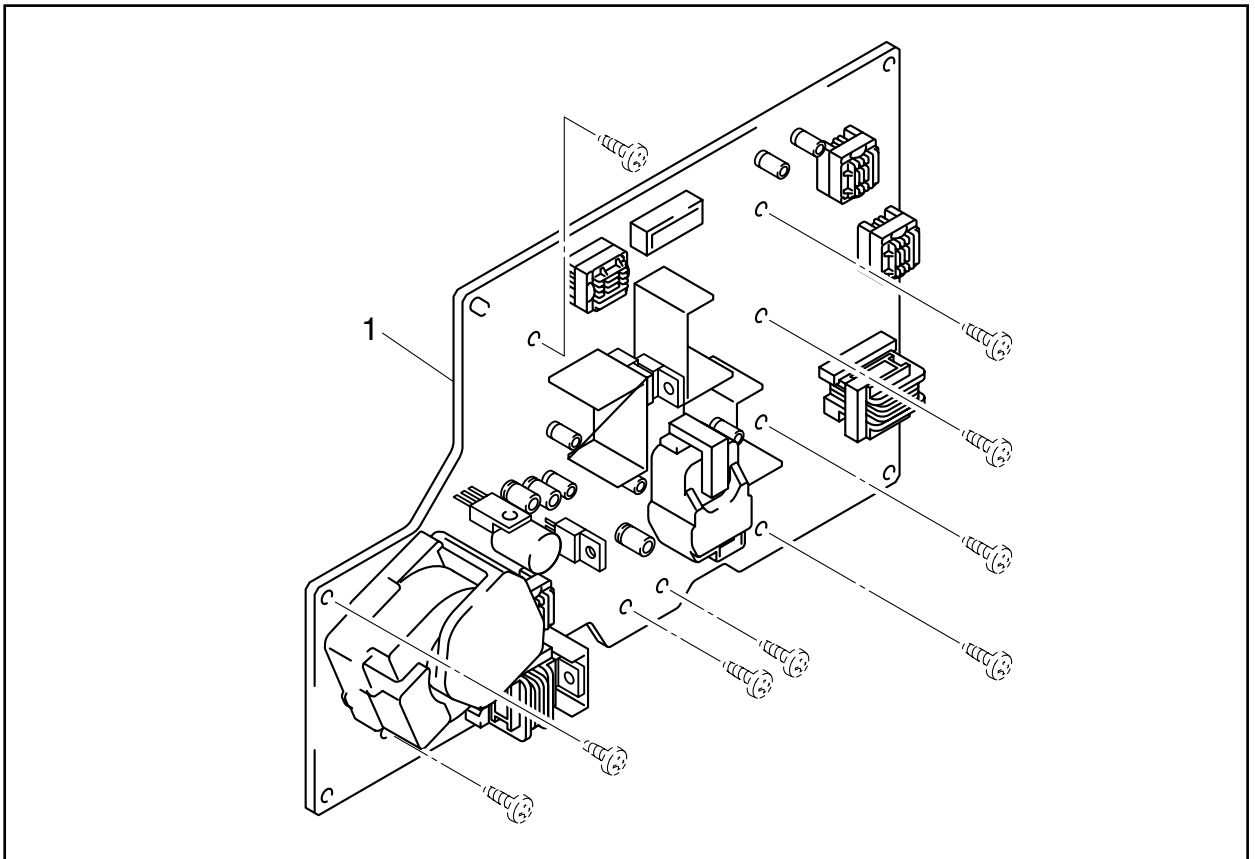
MODEL HL-2600CN 54S303

## 12. POWER SUPPLY UNIT



MODEL HL-2600CN 54S303

## 13. HIGH VOLTAGE POWER SUPPLY



MODEL HL-2600CN 54S303

14. AC CORDS

PR2002068

REF.NO	CODE	Q'TY	DESCRIPTION	REMARK
1A	UH1933001	1	AC CORD US/CSA	
1B	UH1052001	1	AC CORD, VDE	
1C	UH1054001	1	AC CORD, BS	
1D	UH1055001	1	AC CORD, SAA	
1E	UH1053001	1	AC CORD, SEV	
1F	UK4094001	1	AC CORD, DEMKO	
1G	U34322001	1	AC CORD #6, ISRAEL	
1H	LJ8288001	1	AC CORD ASSY, SOUTH AFRICA	

MODEL HL-2600CN 54S303

15. ACCESSORIES

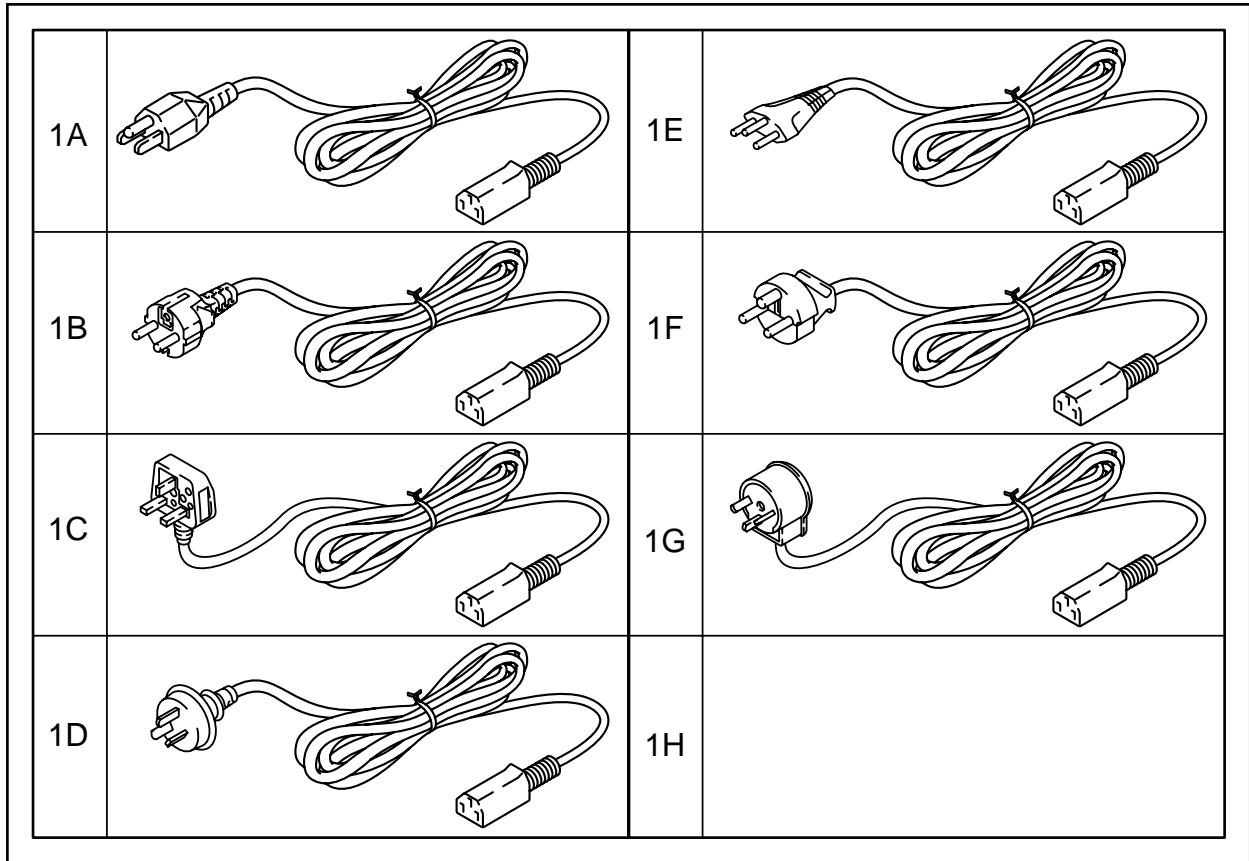
REF.NO	CODE	Q'TY	DESCRIPTION	REMARK
1	LJ8911001	1	CD ASSY PS3	Ver.B
1	LM0129001	1	BC-1000 CD ASSY	
2	LJ3746001	1	SET GUIDE, ENG	
2	LJ3747001	1	SET GUIDE, FRA	
2	LJ3802001	1	SET GUIDE, GER	
2	LJ3803001	1	SET GUIDE, NL	
2	LJ3804001	1	SET GUIDE, DEN	
2	LJ3805001	1	SET GUIDE, SPA	
2	LJ3806001	1	SET GUIDE, ITA	
3	LM0334001	1	NETWORK SET GUIDE, ENG	CODE CHNG
3	LM0335001	1	NETWORK SET GUIDE, FRA	CODE CHNG
3	LM0336001	1	NETWORK SET GUIDE, GER	CODE CHNG
3	LM0337001	1	NETWORK SET GUIDE, NL	CODE CHNG
3	LM0338001	1	NETWORK SET GUIDE, DEN	CODE CHNG
3	LM0339001	1	NETWORK SET GUIDE, SPA	CODE CHNG
3	LM0340001	1	NETWORK SET GUIDE, ITA	CODE CHNG
4	LJ4961001	1	BAG, 215X350H	

MODEL HL-2600CN 54S303

T/I NO. PR2001146 / PR2002042 / PR2002068

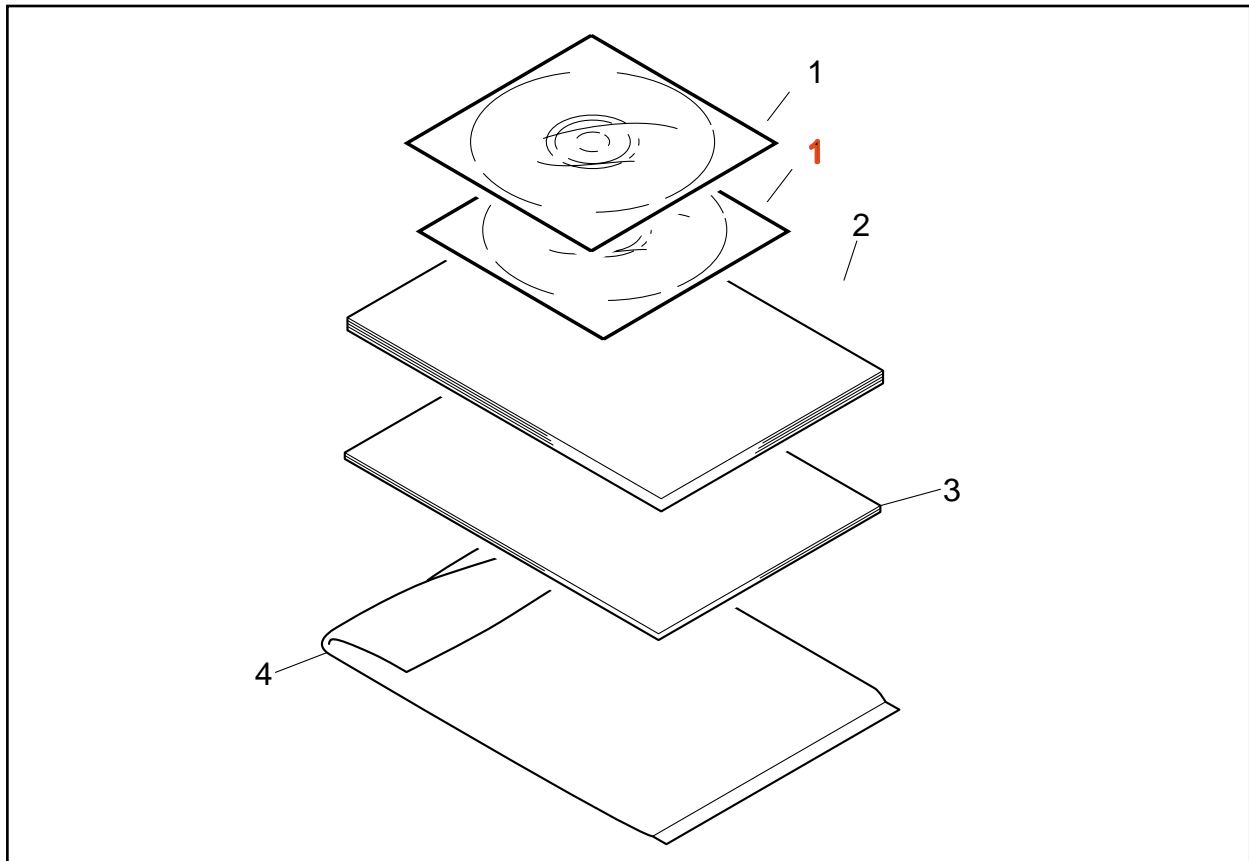
14. AC CORDS

PR2001146



MODEL HL-2600CN 54S303

15. ACCESSORIES



MODEL HL-2600CN 54S303

T/I NO. PR2001146

16. PACKING MATERIALS

PR2002086

REF.NO	CODE	Q'TY	DESCRIPTION	REMARK
1	LL0485001	1	CARTON,HL2600CN	
2	UH1277001	1	READ ME FIRST SHEET	
3	LL0486001	1	BASE/UPPER PACKING MATERIALS	
4	LL0487001	1	CARTON, STARTER KIT	
5	LL0488001	1	JOINT	

MODEL HL-2600CN 54S303

T/I NO. PR2002086

17. PERIODICAL REPLACEMENT PARTS

PR2002103

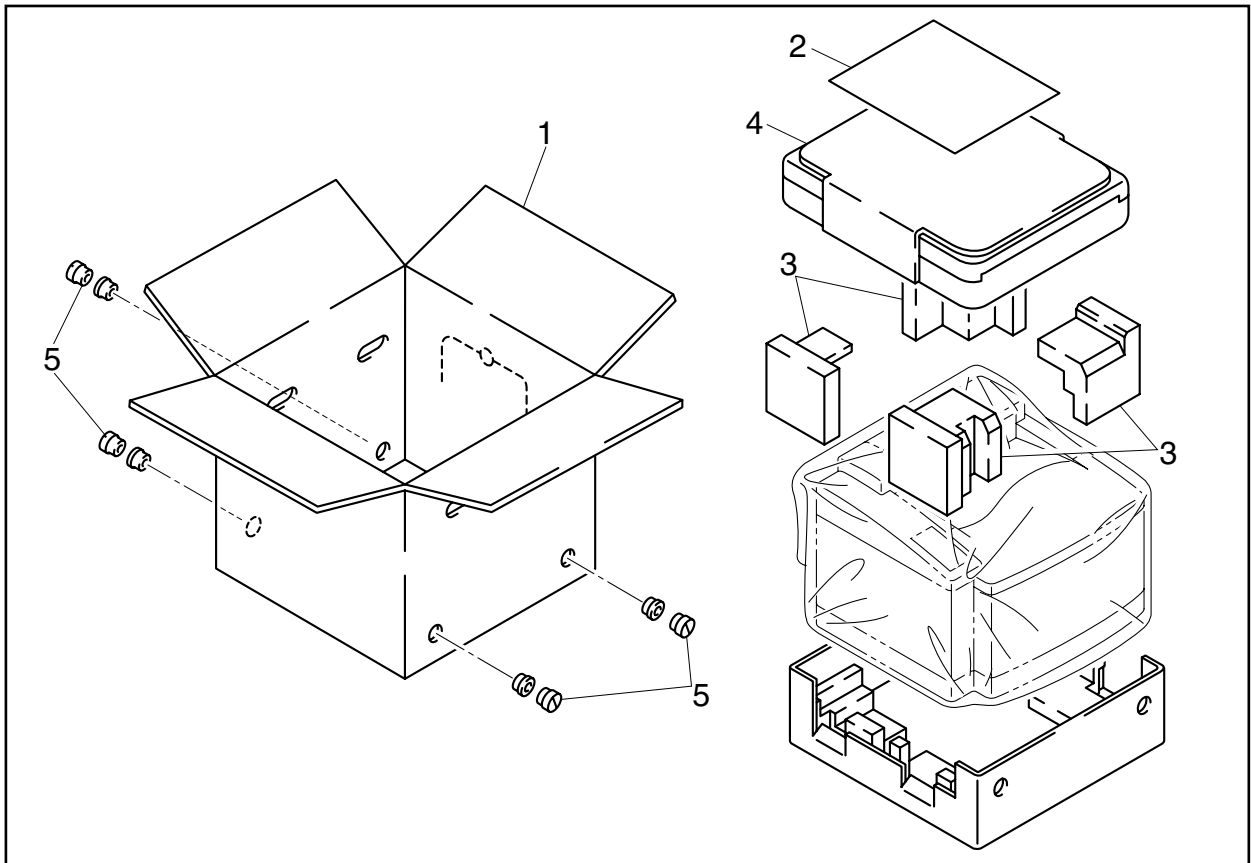
REF.NO	CODE	Q'TY	DESCRIPTION	REMARK
1	LJ3883001	1	BC CHARGER 2	
2	LM0085001	1	120K KIT-2	

MODEL HL-2600CN 54S303

T/I NO. PR2002103

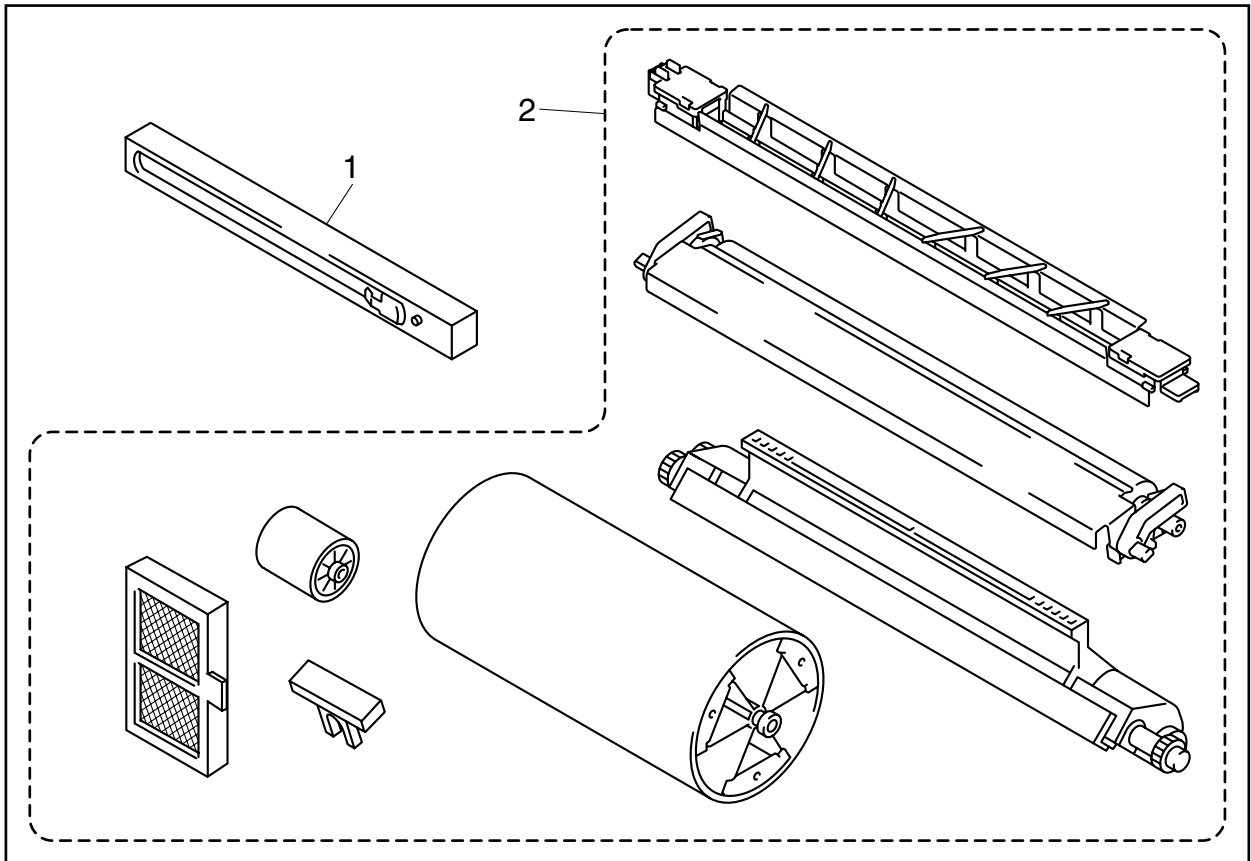


16 . PACKING MATERIALS



MODEL HL-2600CN 54S303

17 . PERIODICAL REPLACEMENT PARTS



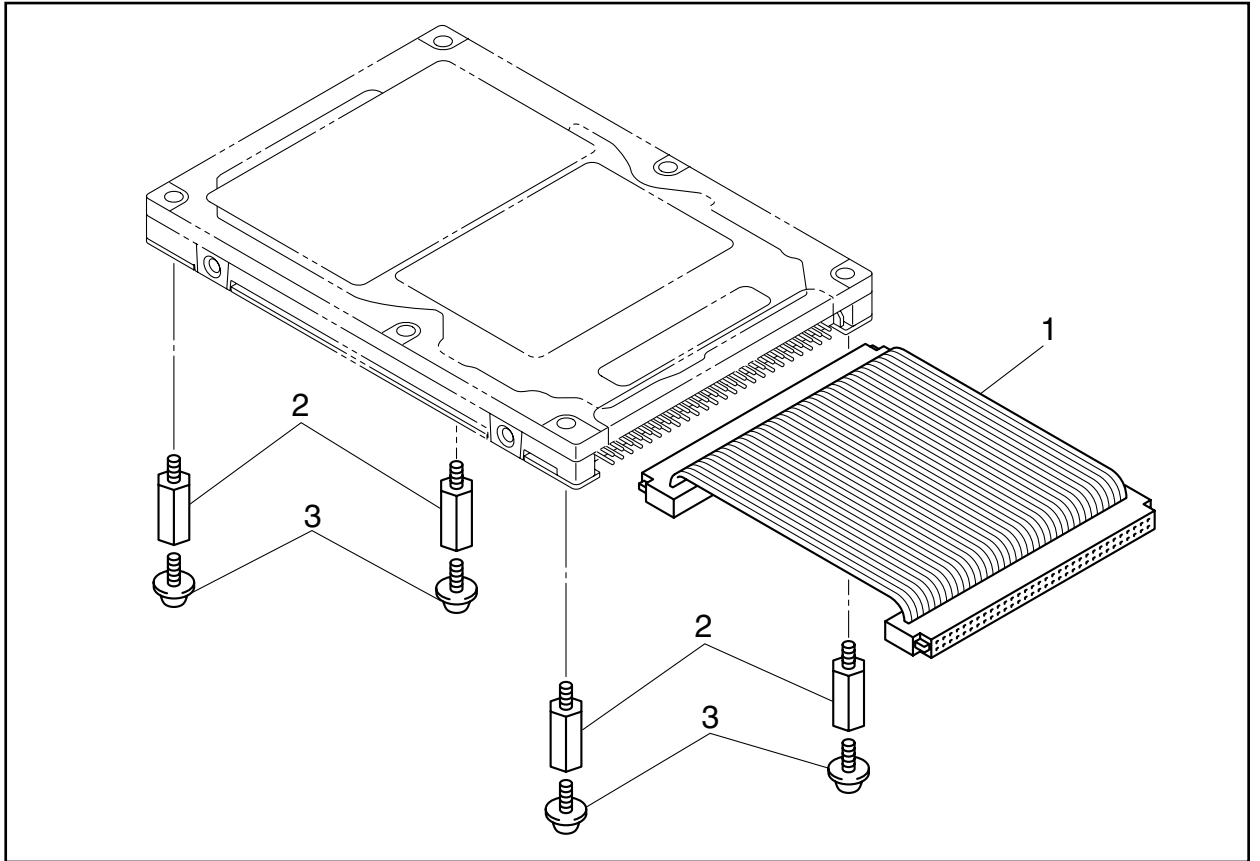
MODEL HL-2600CN 54S303

18. HARD DISK (OPTION / FOR HL-2600CN)

REF.NO	CODE	Q'TY	DESCRIPTION	REMARK
1	LJ2256001	1	HDD CABLE	
2	LJ2257001	4	SHOULDER SCREW	
3	087320616	4	TAPTITE, CUP S M3X6	

MODEL HL-2600CN 54S303

18 . HARD DISK (OPTION / FOR HL-2400Ce/2600CN)



MODEL HL-2600CN 54S303