

brother®

LASER PRINTER

PARTS REFERENCE LIST

MODEL:HL-1260e

MECHANISMS & ELECTRONICS

NOTES FOR USING THIS PARTS REFERENCE LIST

1. In the case of ordering parts, it needs mentioning the following items:

- (1) Code
- (2) Q'ty
- (3) Description
- (4) Revision No. (for a kind of printed circuit boards)

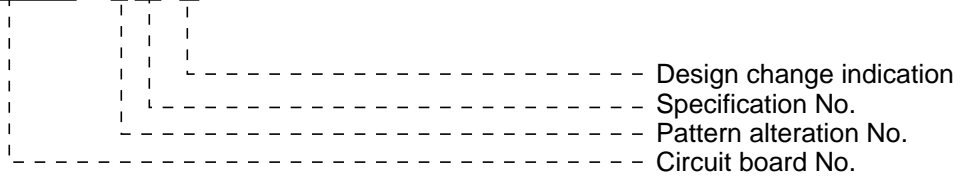
Note : No orders without Parts Code or Tool No. can be accepted.

< Example >

REF.NO.	CODE	Q'TY	DESCRIPTION	REMARKS

(4) Revision No.; marked on a printed circuit board.

B48K056 - 201 A



2. Design-changed parts;

If the parts are changed, any one of the following symbols is indicated in the REMARKS column.

- #A : compatible between old and new
- #B : replaceable from old to new
- #D : incompatible
- # : newly established

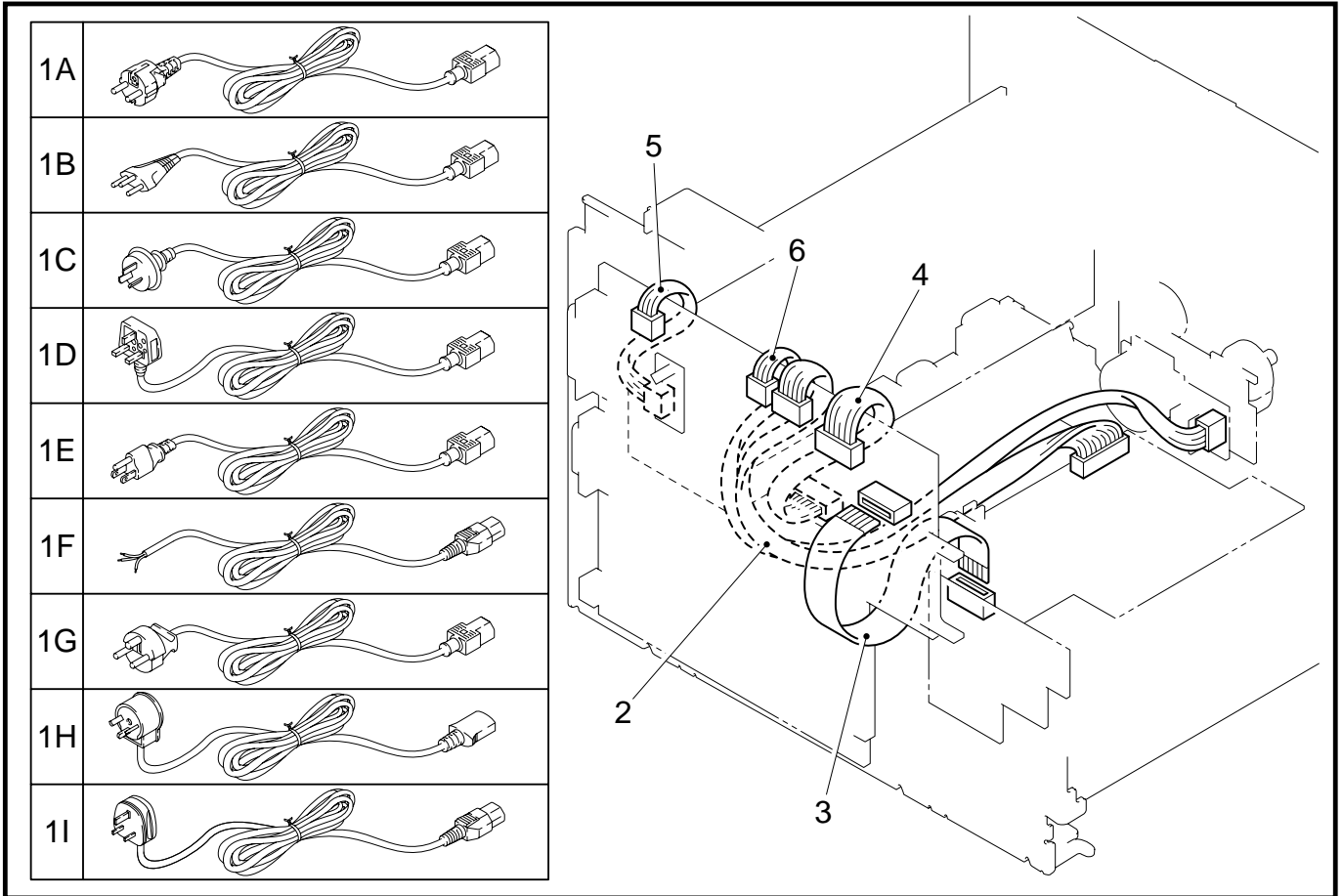
3. The original of this list was made based on the information available in February, 1996.

4. Parts are subject to change in design without prior notice.

CONTENTS

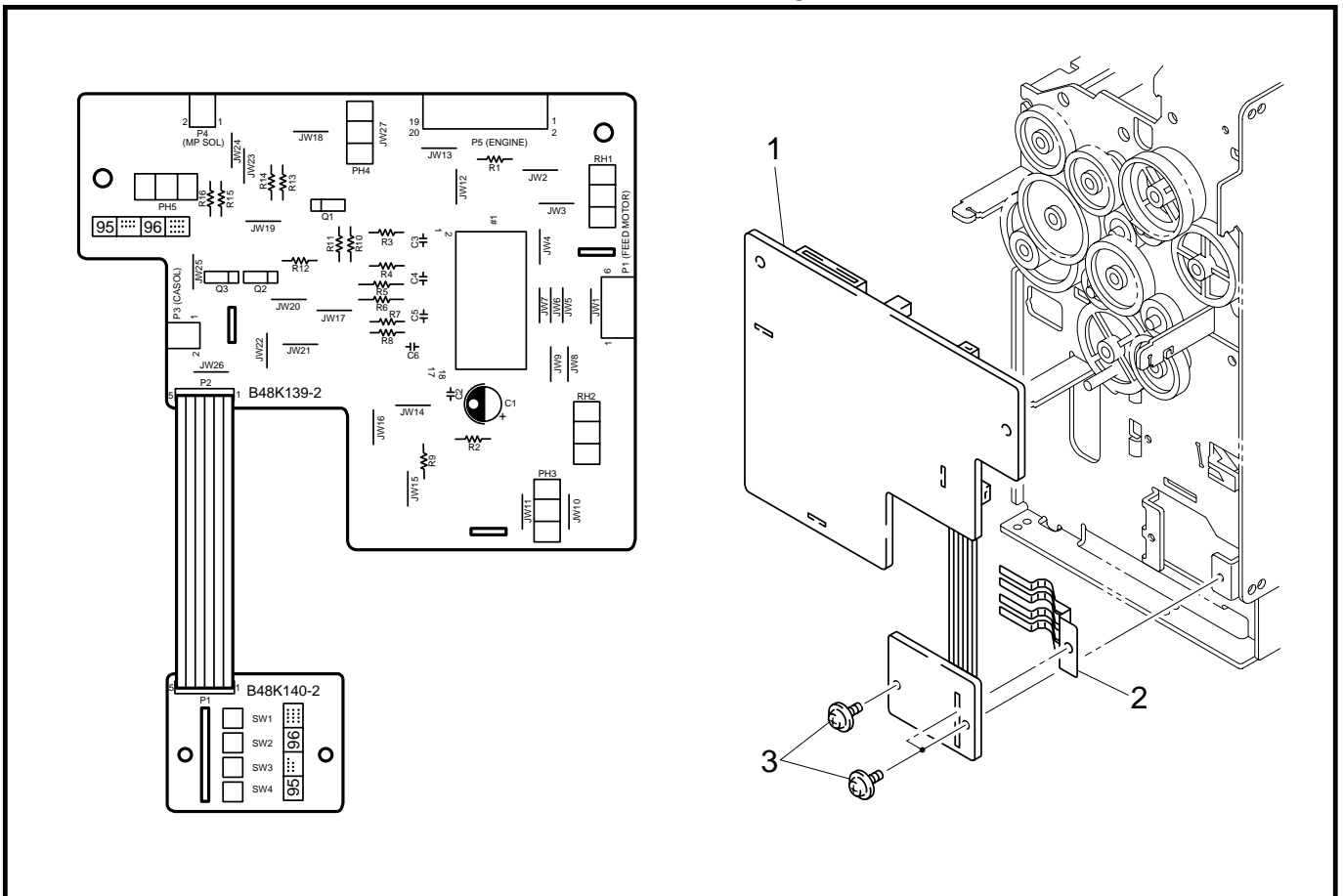
1. POWER CORDS & HARNESSSES	1
2. PAPER FEEDER PCB	1
3. CONTROL PANEL	3
4. PCB ATTACHMENTS	3
5. MAIN PCB, OTHERS	5
6. MAIN PCB, ISRAEL	7
7. HIGH-VOLTAGE POWER SUPPLY	9
8. LOW-VOLTAGE POWER SUPPLY	9
9. COVERS	11
10. CHASSIS	11
11. TRANSFER	13
12. PAPER TRAY	13
13. PAPER FEEDER	15
14. SCANNER	17
15. FIXING UNIT, 120/230V	17
16. DOCUMENTS	19
17. PACKING MATERIALS	19
18. OPTIONAL PARTS SET	21
19. ADJUSTING TOOL KIT	21

1. POWER CORDS & HARNESSES



MODEL HL-1260e 54T-U01-050/070

2. PAPER FEEDER PCB



MODEL HL-1260e 54T-U01-090

1. POWER CORDS & HARNESSSES

REF.NO.	CODE	Q'TY	DESCRIPTION	REMARK
1A	UH1052001	1	AC CORD, VDE	
1B	UH1053001	1	AC CORD, SEV	
1C	UH1055001	1	AC CORD, SAA	
1D	UH1054001	1	AC CORD, BS	
1E	UH1051001	1	AC CORD, UL/CSA	
1F	U34320001	1	AC CORD #4, BS WO/PLUG	
1G	UK4094001	1	AC CORD #5, DEMKO	
1H	U34322001	1	AC CORD #6, ISRAEL	
1I	U34342001	1	AC CORD #8, BS/SINGAPORE	
2	UK2502001	1	HV HARNESS 16P	
3	UK2505001	1	FEED FLAT CABLE 20P	
4	UK2506001	1	LV HARNESS 8P	
5	UK2507001	1	FUSER HARNESS 4P	
6	UK2508001	1	DC MOTOR HARNESS 4P	

MODEL HL-1260e 54T-U01-050/070

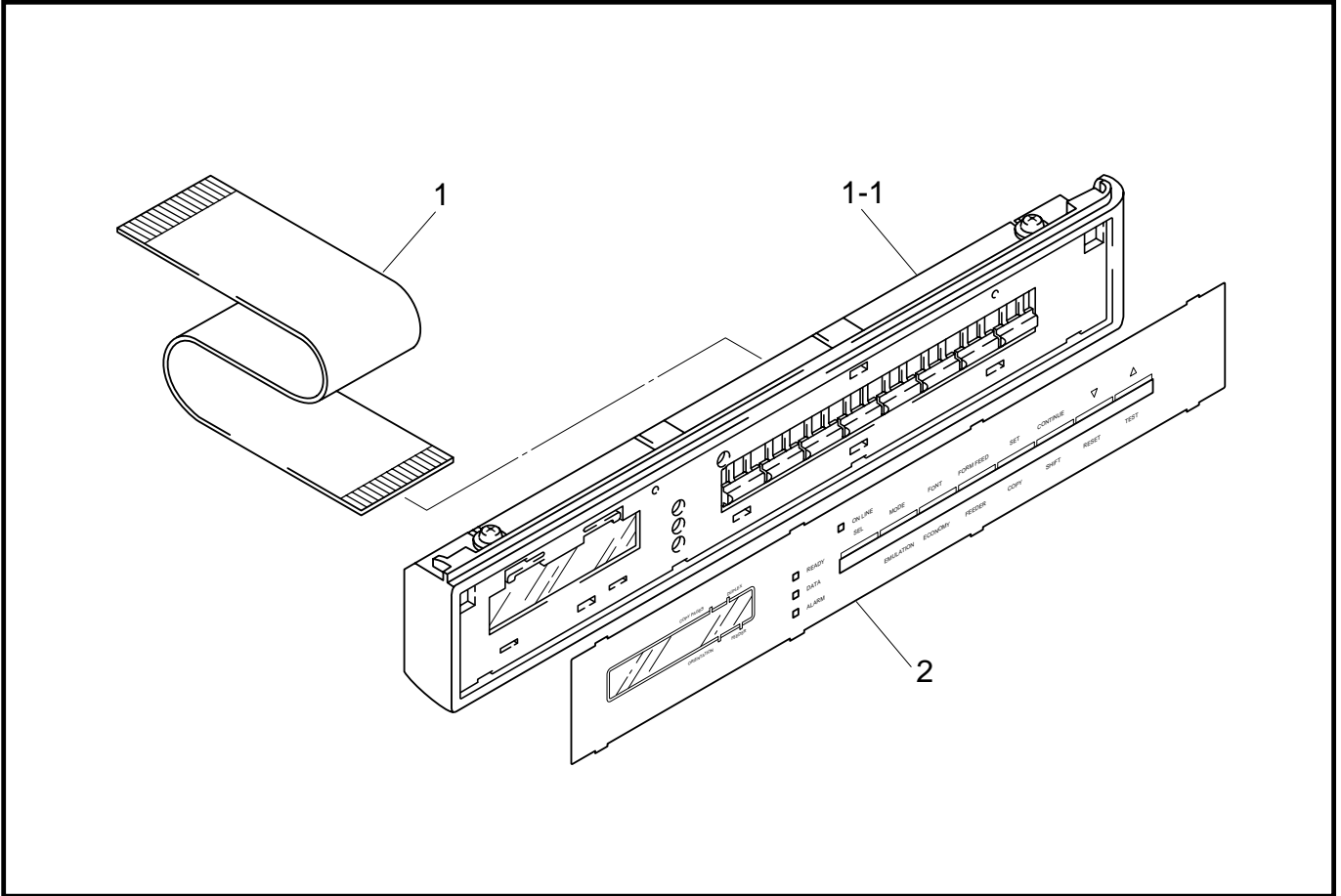
T/I NO. PR98046

2. PAPER FEEDER PCB

REF.NO.	CODE	Q'TY	DESCRIPTION	SYMBOL	REMARK
1	UK2701001	1	P FEED/SIZE-SW PCB ASSY (SP)	B48K139/140-200B/200B	
2	UH2410000	1	SIZE SWITCH SPRING		
3	087320616	1	TAPTITE, CUP S M3X6		

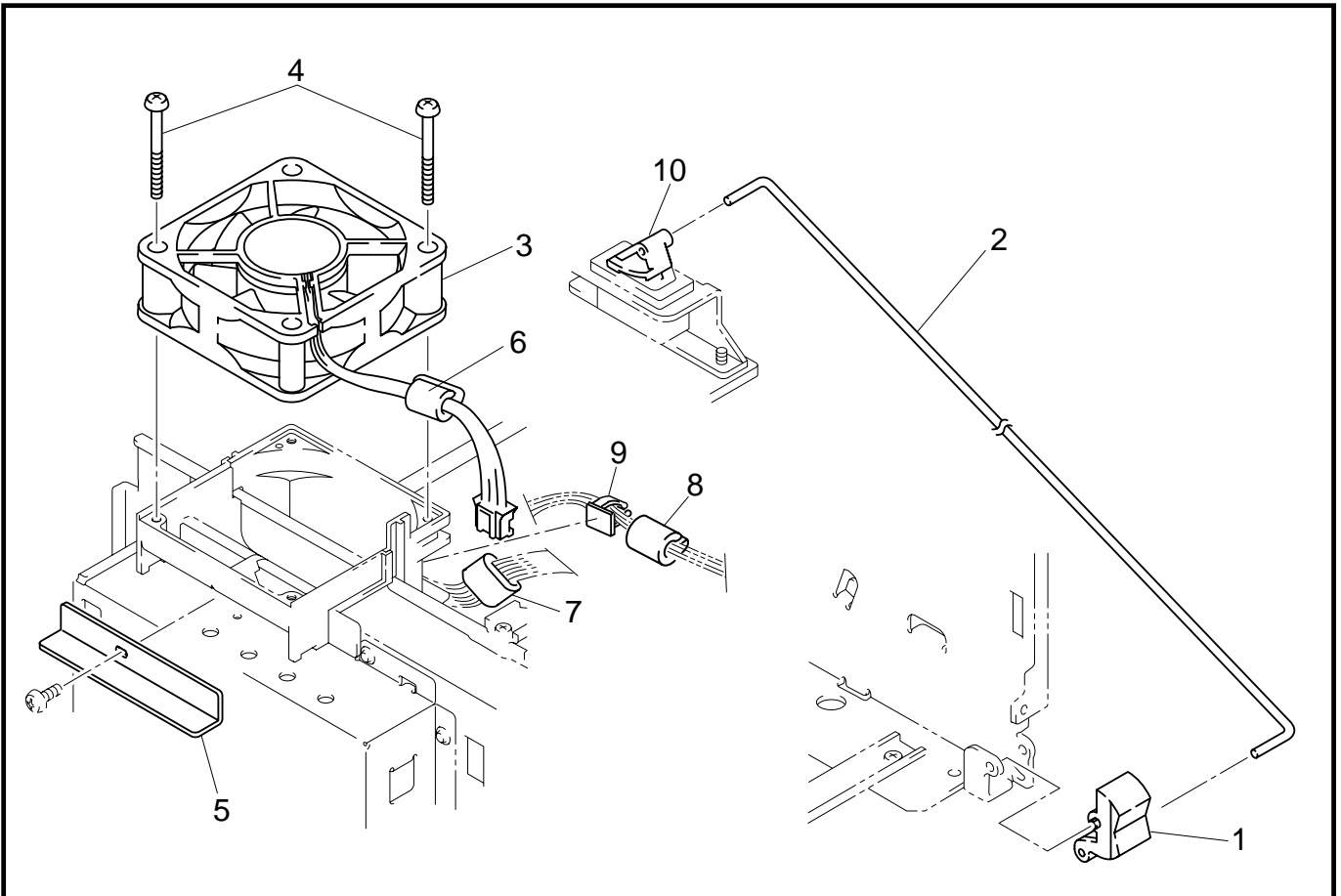
MODEL HL-1260e 54T-U01-090

3 . CONTROL PANEL



MODEL HL-1260e 54T-U01-150

4 . PCB ATTACHMENTS



MODEL HL-1260e 54T-U01-450

3. CONTROL PANEL

REF.NO.	CODE	Q'TY	DESCRIPTION	SYMBOL	REMARK
1-1	UK3024001	1	CONTROL PANEL UNIT (SP)	(B48K143-200B)	
1	UK2500000	1	SWITCH FLAT CABLE 21P		
2	UH2020001	1	PANEL SHEET, 1260e		

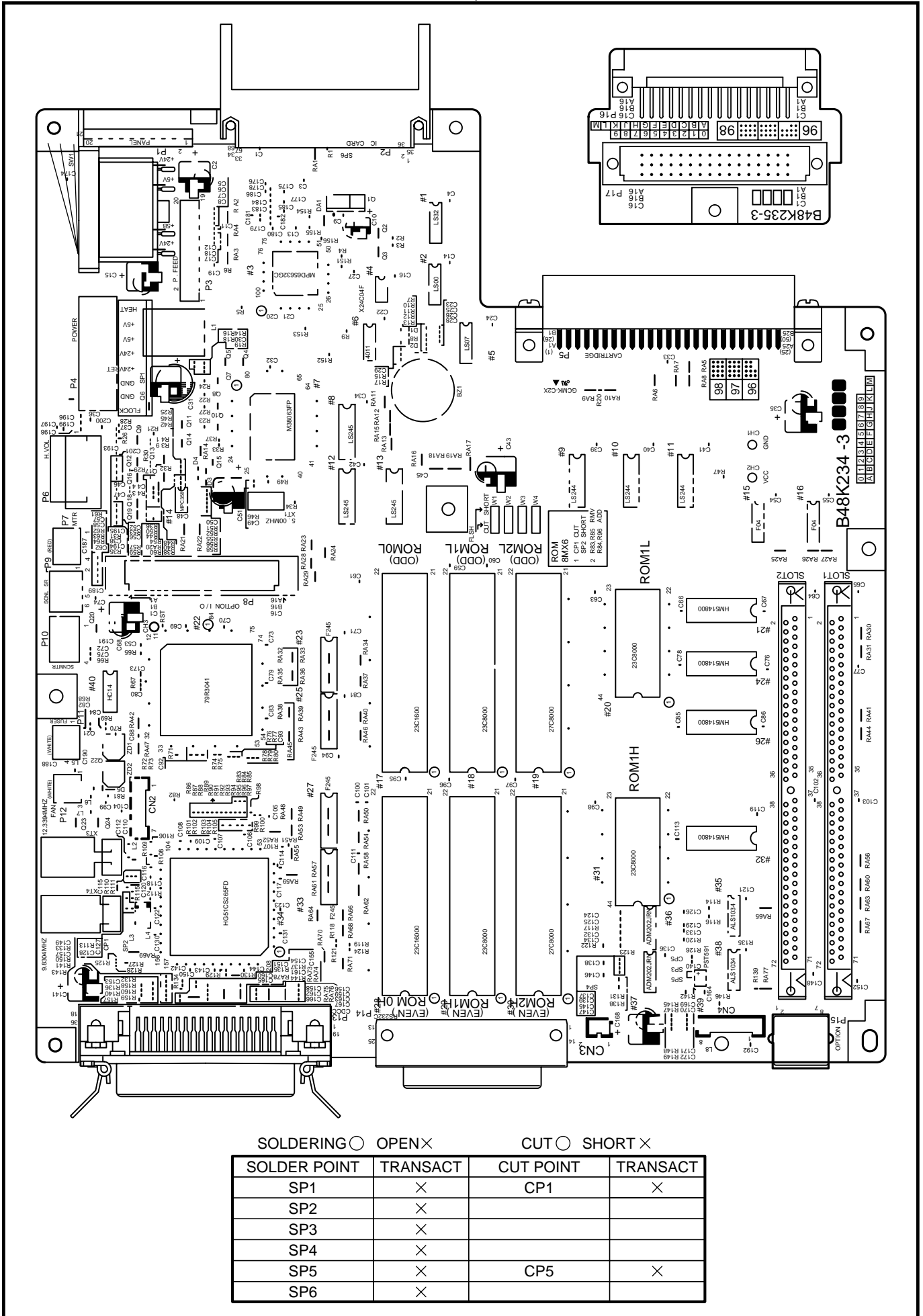
MODEL HL-1260e 54T-U01-150

4. PCB ATTACHMENTS

REF.NO.	CODE	Q'TY	DESCRIPTION	REMARK
1	UH2121001	1	REMOTE SWITCH	
2	UH2122000	1	PS SWITCH WIRE	
3	UH2124001	1	DC FAN MOTOR	
4	083313515	2	TAPTITE, PAN B M3X35	
5	UH2144001	1	HOLDER SPACER	
6	UK2826001	1	CORE:RI-12-15-8.5	
7	UK3213000	1	CORE:FPC-16-12	
8	UK3214000	1	CORE:ZCAT1518	
9	UK3215000	1	CABLE CLAMP	
10	UH2123001	1	SWITCH ATTACHMENT	

MODEL HL-1260e 54T-U01-450

5. MAIN PCB, OTHERS



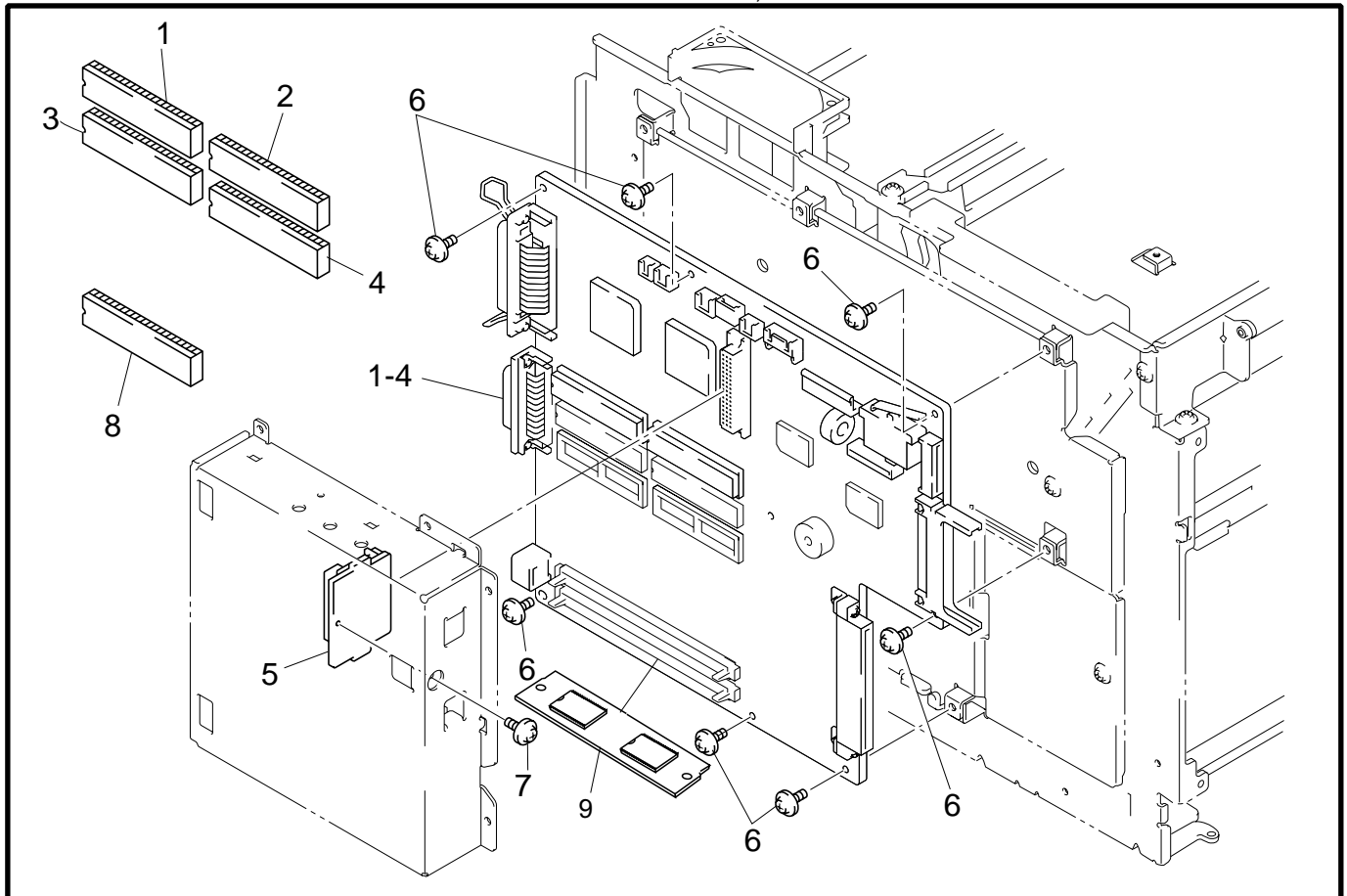
5 . MAIN PCB, OTHERS

REF.NO.	SYMBOL	CODE	QTY	DESCRIPTION	REMARKS
1-4	B48K234-302B	UK3221001	1	MAIN PCB ASSY (SP), HL-1260e (OTHERS)	
1-4	B48K234-302E	UK3710001	1	MAIN PCB ASSY (SP), HL-1260	
1	#35	UK3021000	1	MROMHN624316-1, HL-1260	
1	#28	UK3711000	1	MASK ROM:23C16000-01, HL-1260e	
2	#24	UK3022000	1	MROMHN624316-2, HL-1260	
2	#17	UK3712000	1	MASK ROM:23C16000-02, HL-1260e	
3	#29	UK2718000	1	MASK ROM:23C8000-01	
4	#18	UK2719000	1	MASK ROM:23C8000-02	
5	B48K235-300B	UK3169001	1	MIO CONNECTOR PCB ASSY	
6		087320616	7	TAPTITE, CUP S M3X6	
7		087320616	1	TAPTITE, CUP S M3X6	
8	(# 28,17,29,18)	UK2466000	1	EPROM:27C8000DZ(BLANK EPROM)(SP)	
9		UK3738001	1	SIMM 4M	

MODEL HL-1260e 54T-U01-100

TI No.96-P013 / 96-P017 / 96-P023 / 96-P046 / 96-P078 / 97-P031 / 97-P047 / PR97114 / PR97168

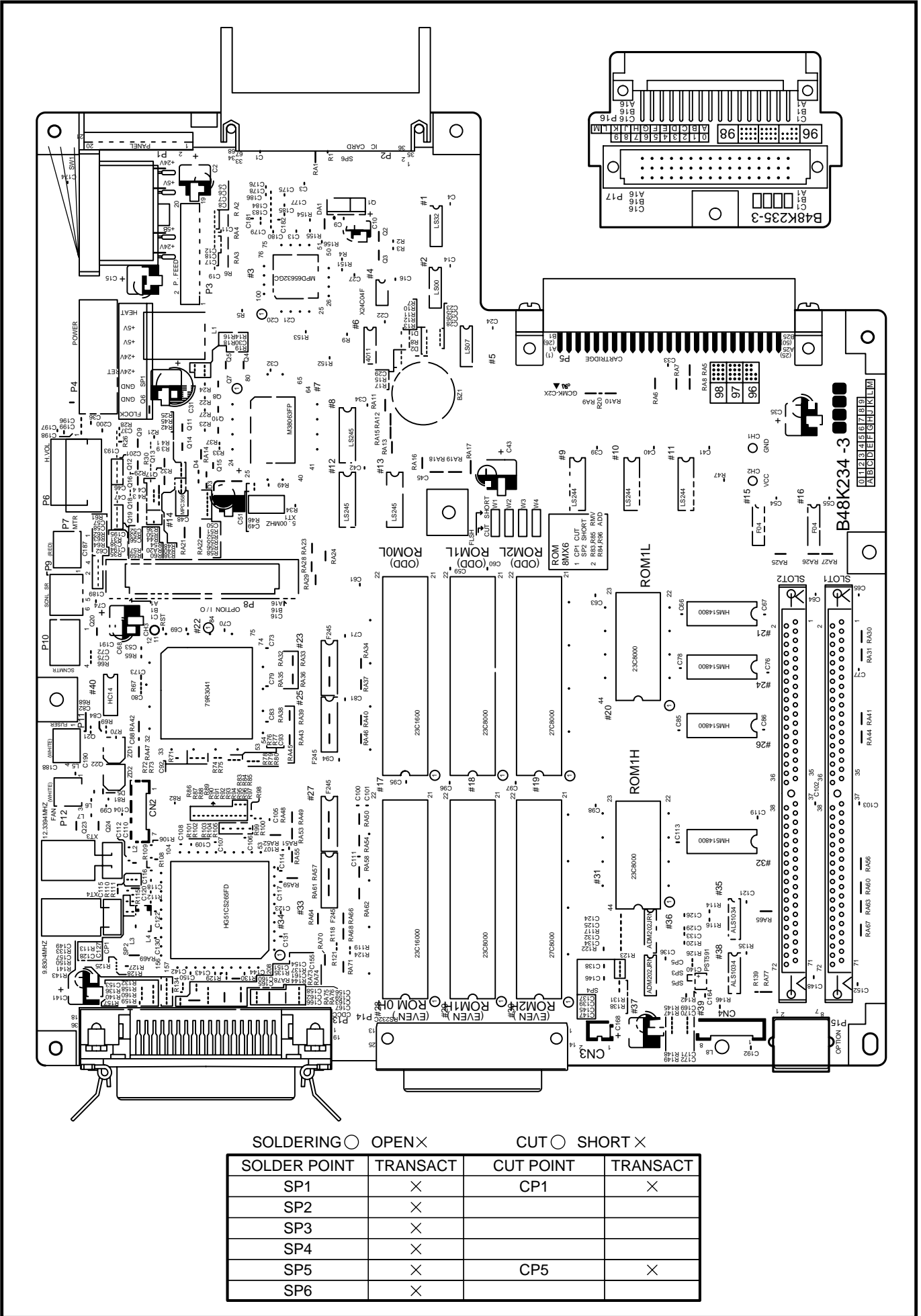
5 . MAIN PCB, OTHERS



TI No.PR97114

MODEL HL-1260e 54T-U01-100

6 . MAIN PCB, ISRAEL



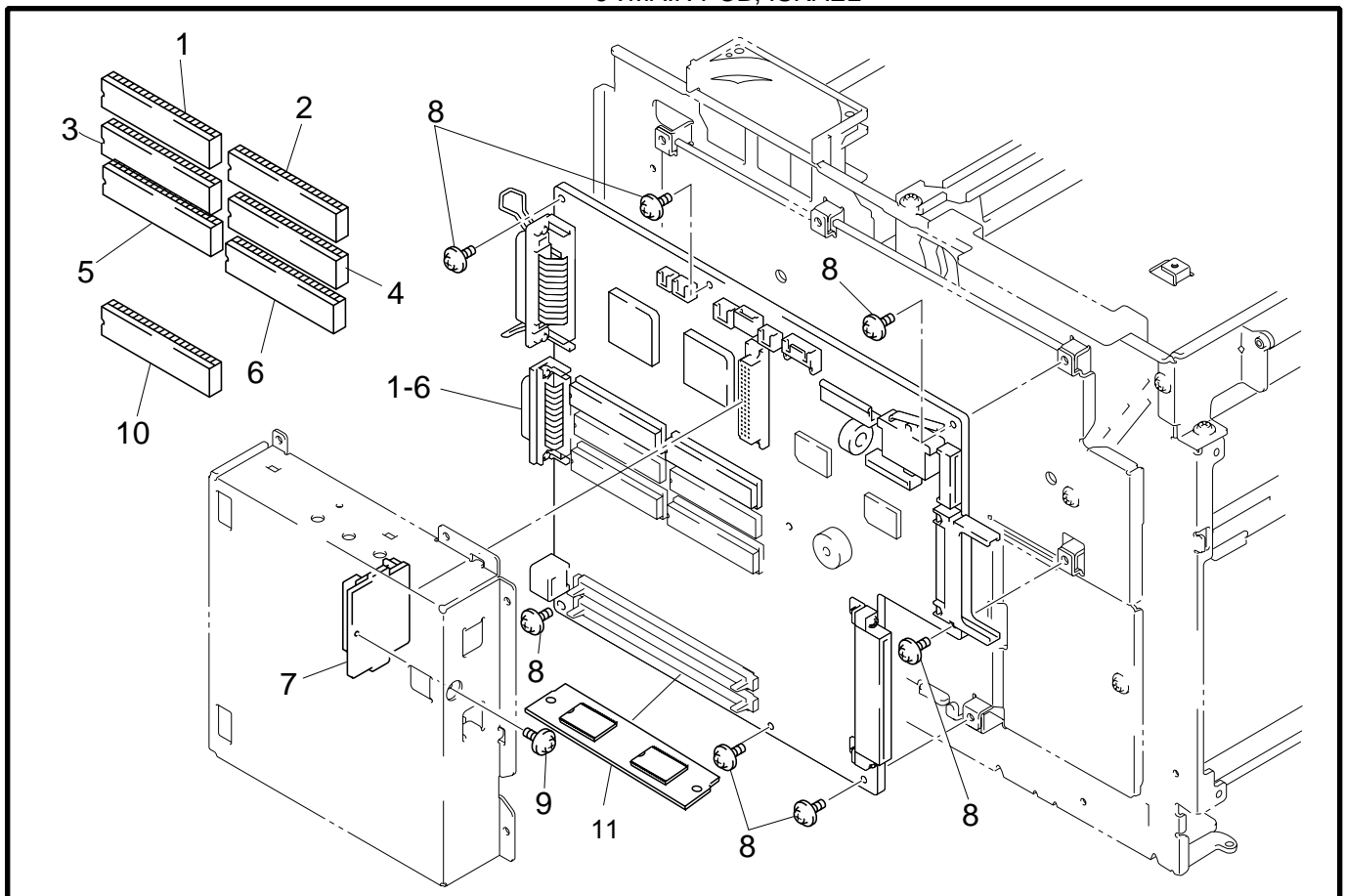
6 . MAIN PCB, ISRAEL

REF.NO.	SYMBOL	CODE	QTY	DESCRIPTION	REMARKS
1-6	B48K234-303B	UK3223001	1	MAIN PCB ASSY 5 (SP), HEB HL-1260e (ISRAEL)	
1	#28	UK3711000	1	MASK ROM:23C16000-01	
2	#17	UK3712000	1	MASK ROM:23C16000-02	
3	#29	UK2718000	1	MASK ROM:23C8000-01	
4	#18	UK2719000	1	MASK ROM:23C8000-02	
5	#30	UK2945001	1	EPROM HEB1	
6	#19	UK2947001	1	EPROM HEB2	
7	B48K235-300B	UK3169001	1	MIO CONNECTOR PCB ASSY	
8		087320616	7	TAPTITE, CUP S M3X6	
9		087320616	1	TAPTITE, CUP S M3X6	
10	(#28,17,29,18)	UK2466000	1	EPROM:27C8000DZ (BLANK EPROM)(SP)	
11		UK3738001	1	SIMM 4M	

MODEL HL-1260e 54T-U01-104

TI No.96-P013 / 96-P017 / 96-P023 / 96-P046 / 96-P078 / 97-P047 / PR97114

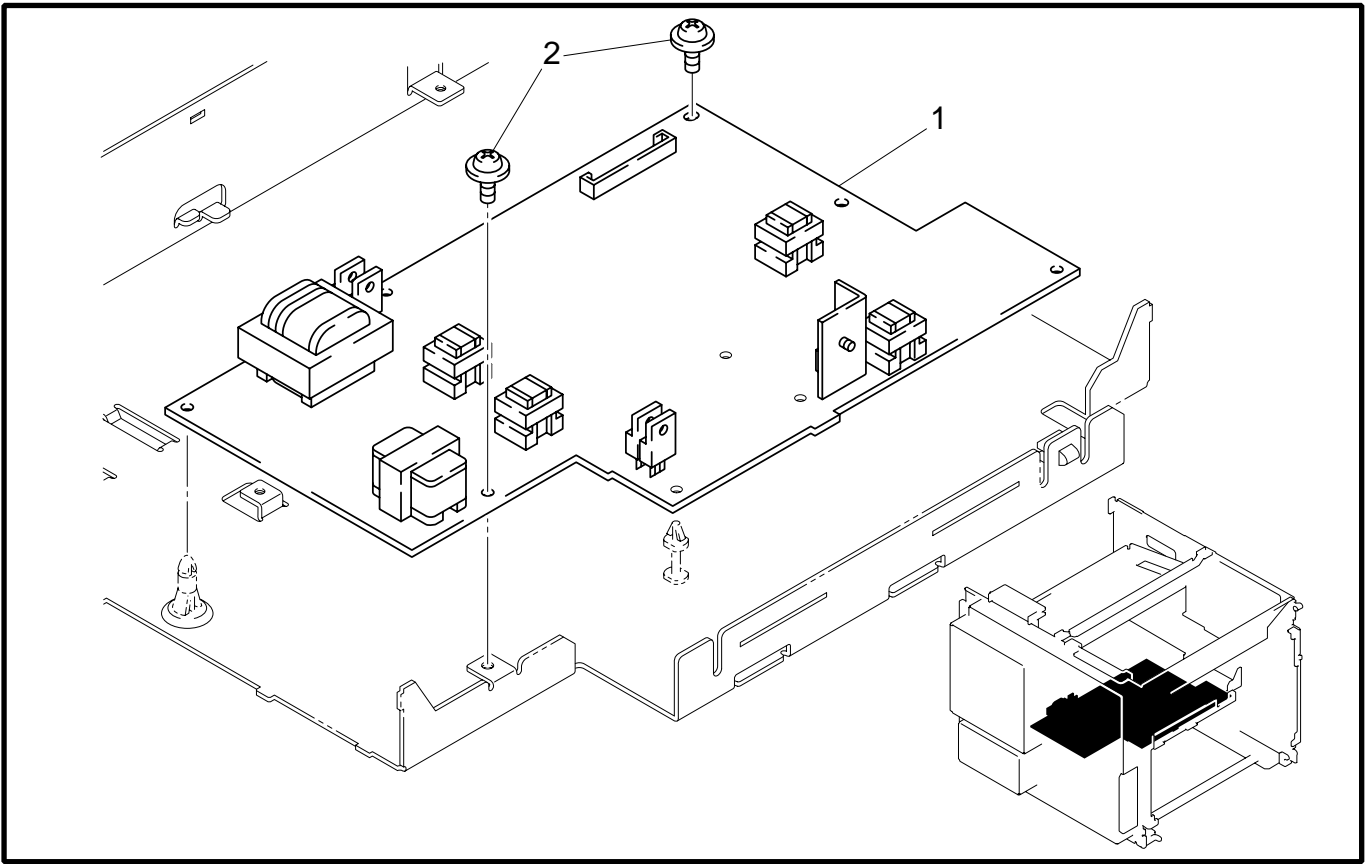
6 . MAIN PCB, ISRAEL



TI No. PR97114

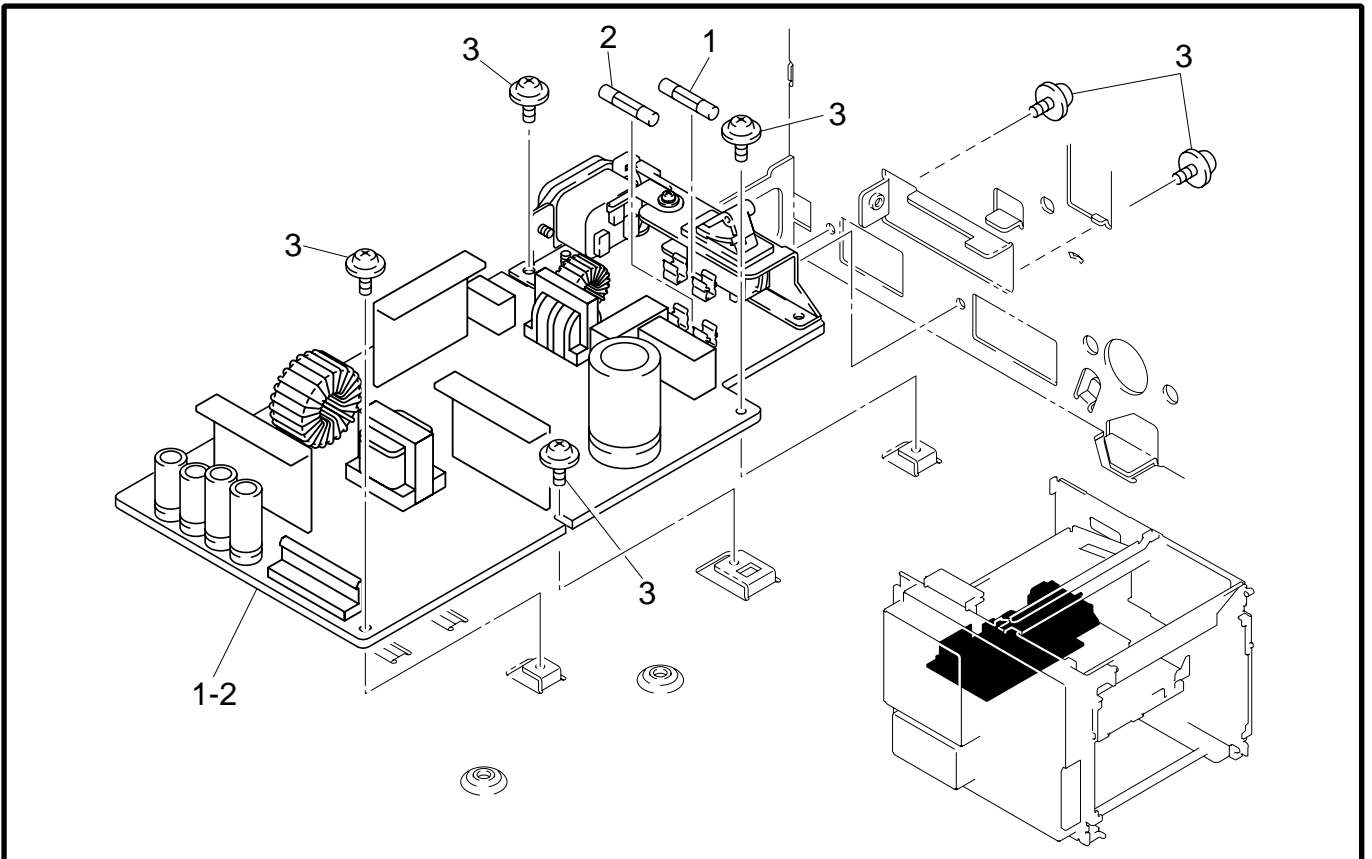
MODEL HL-1260e 54T-U01-104

7 .HIGH-VOLTAGE POWER SUPPLY



MODEL HL-1260e 54T-U01- 200

8 .LOW-VOLTAGE POWER SUPPLY



MODEL HL-1260e 54T-U01- 300

7. HIGH-VOLTAGE POWER SUPPLY

REF.NO.	CODE	Q'TY	DESCRIPTION	SYMBOL	REMARK
1	UK2702001	1	HIGH-VOLTAGE PS PCB ASSY (SP)	B48K186-300E	
2	087320616	2	TAPTITE, CUP S M3X6		

MODEL HL-1260e 54T-U01-200

TI NO. 96-P028

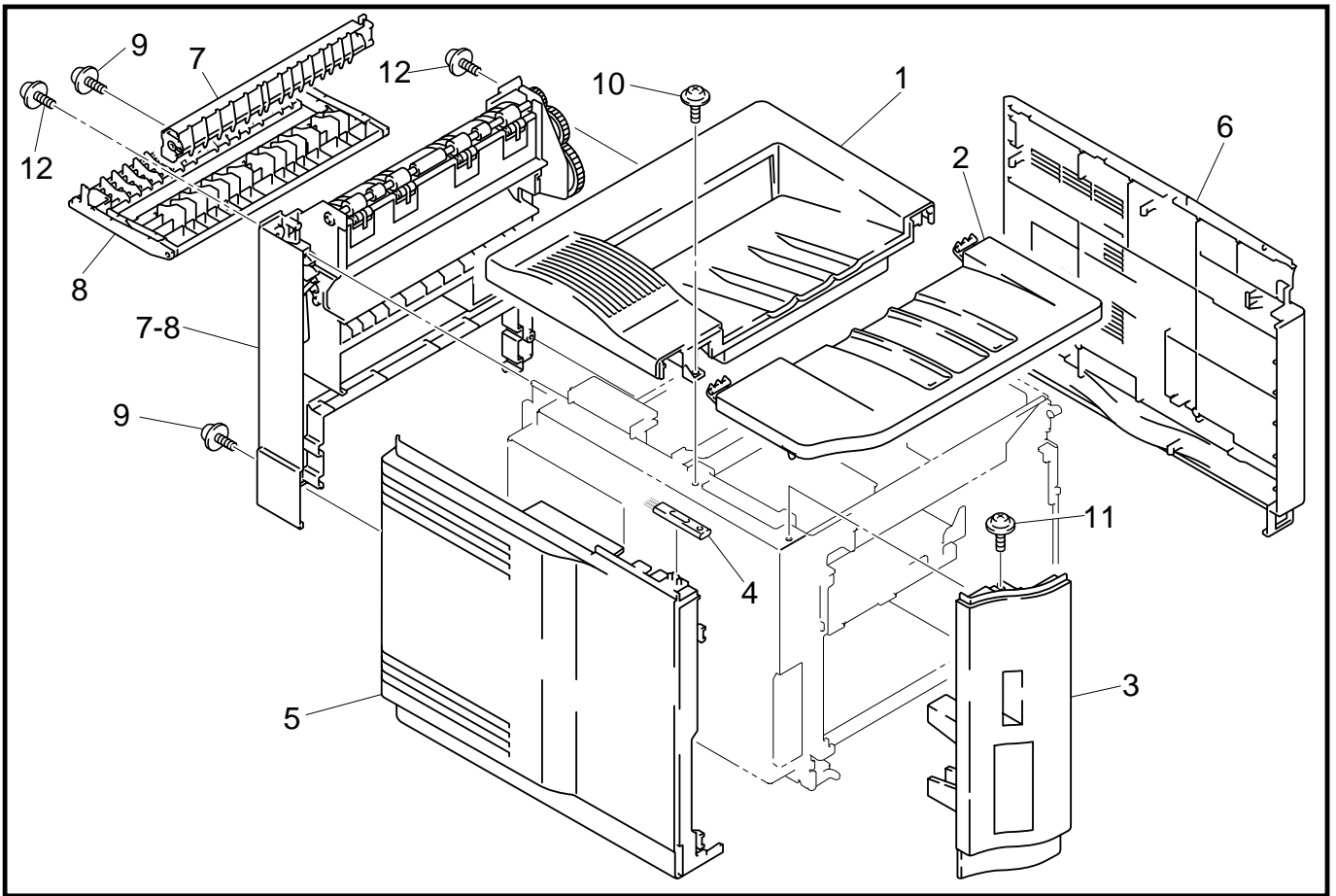
8. LOW-VOLTAGE POWER SUPPLY

REF.NO.	CODE	Q'TY	DESCRIPTION	SYMBOL	REMARK
1-2	UK2753001	1	LOW-VOLT PS PCB ASSY, 115VM(SP)		
1-2	UK2754001	1	LOW-VOLT PS PCB ASSY, 230VM(SP)		
1	UK2756001	1	GLASS FUSE, 10A-125VM (PS PCB 115VM) (S)	F1	
1	UK2759001	1	GLASS FUSE, 6A-250VM (PS PCB 230VM) (S)	F1	
2	UK2757001	1	GLASS FUSE, 5A-125VM (PS PCB 115VM) (S)	F2	
2	UK2760001	1	GLASS FUSE, 3A-250VM (PS PCB 230VM) (S)	F2	
3	087320616	6	TAPTITE, CUP S M3X6		

MODEL HL-1260e 54T-U01-300

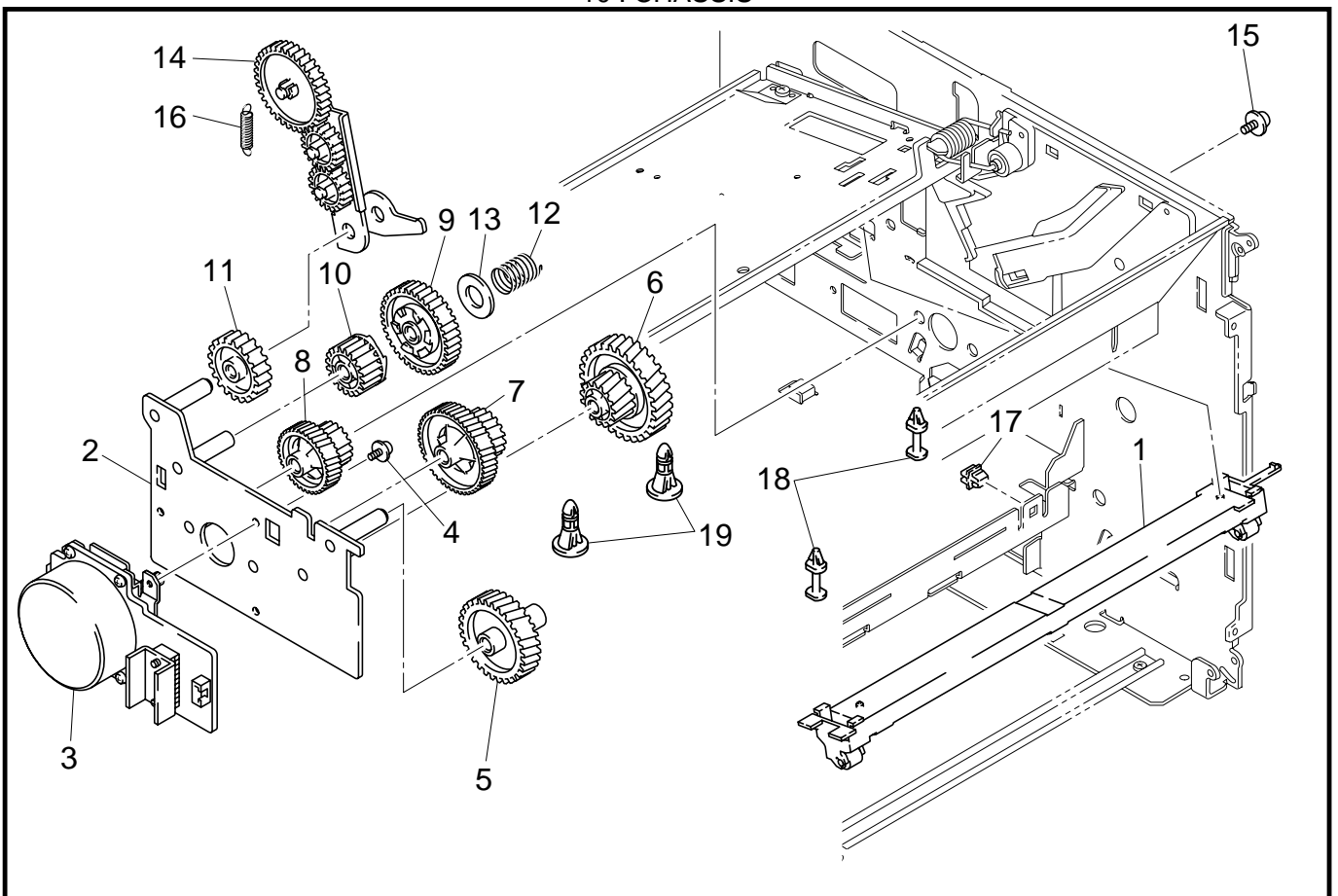
TI NO. 96-P033

9. COVERS



MODEL HL-1260e 54T-U01-400

10. CHASSIS



MODEL HL-1260e 54T-U01-500

9. COVERS

REF.NO.	CODE	Q'TY	DESCRIPTION	REMARK
1	UH2065001	1	UPPER COVER ASSY, GRAY1227	
2	UH2071001	1	TONER CARTRIDGE LID, GRAY1227	
3	UH2072001	1	FONT COVER ASSY, GRAY1227	
4	UH2076001	1	CLEANER BRUSH	
5	UH2077001	1	SIDE COVER L, GRAY1227	
6	UH2027001	1	SIDE COVER R2 ASSY, GRAY1227	
7-8	UH2082001	1	REAR COVER ASSY, GRAY1227	
7	UH2085001	1	CHANGEOVER GUIDE, GRAY1227	
8	UH2103001	1	JAM REMOVE COVER, GRAY1227	
9	087320616	2	TAPTITE, CUP S M3X6	
10	087320616	1	TAPTITE, CUP S M3X6	
11	087320616	1	TAPTITE, CUP S M3X6	
12	087321016	2	TAPTITE, CUP S M3X10	

MODEL HL-1260e 54T-U01-400

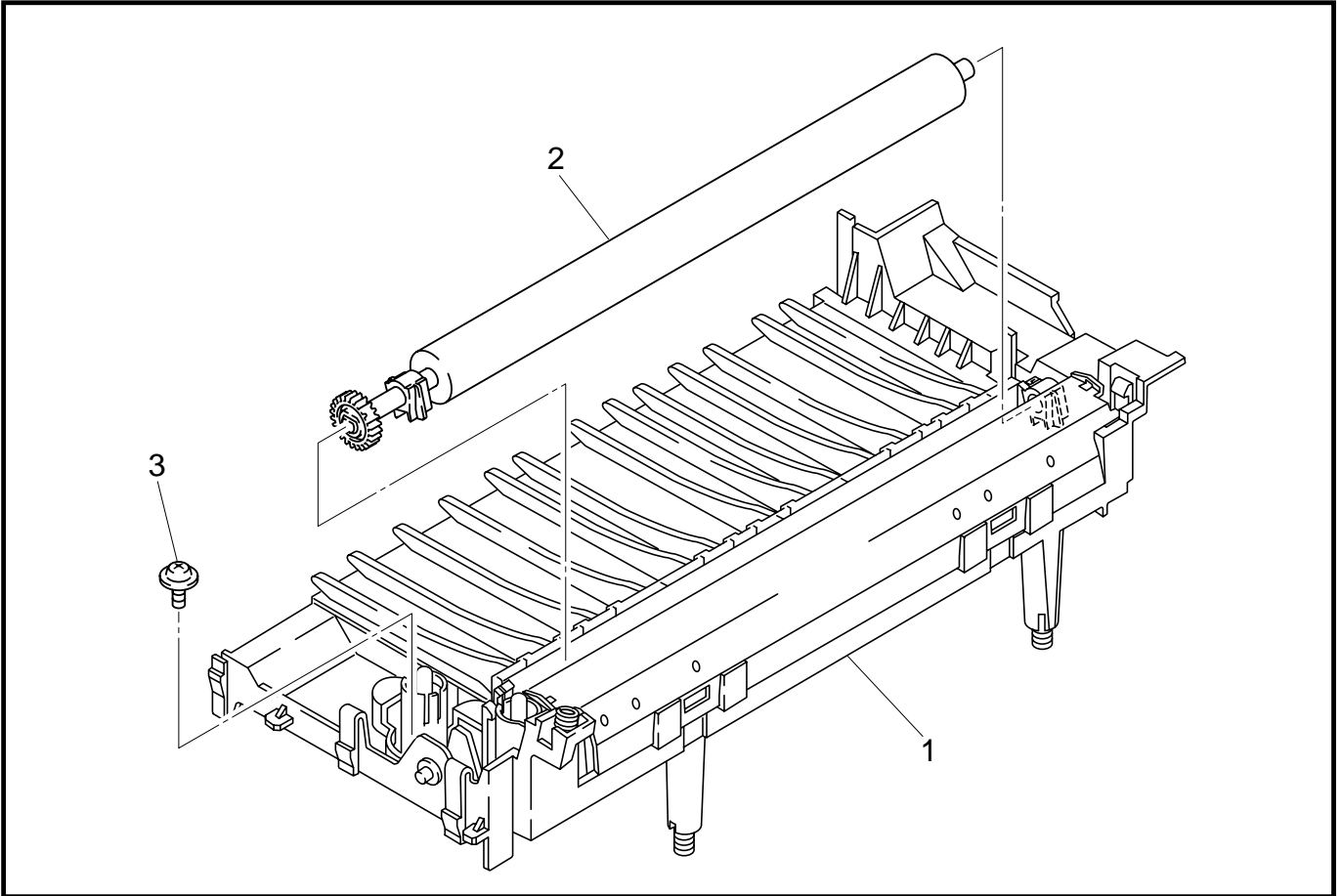
T/I NO. PR98175

10. CHASSIS

REF.NO.	CODE	Q'TY	DESCRIPTION	REMARK
1	UH2229001	1	CARTRIDGE STOPPER ASSY	
2	UH2233001	1	DC GEAR HOLDER ASSY	
3	UH2786001	1	DC MOTOR ASSY (SP)	
4	087320616	3	TAPTITE, CUP S M3X6	
5	UH2238000	1	GEAR 39	
6	UH2239000	1	GEAR 20/50	
7	UH2240000	1	GEAR 24/72	
8	UH2241000	1	GEAR 22/55	
9	UH2242000	1	GEAR 48	
10	UH2243000	1	GEAR 21	
11	UH2244000	1	GEAR 28	
12	UH2245001	1	GEAR 48 SPRING	
13	026100136	1	WASHER, PLAIN S 10	
14	UH2255001	1	PAPER DELIVERY GEAR ASSY	
15	U74234001	4	TAPTITE, CUP M4X5	
16	UH2250001	1	PAPER DELIVERY HOLDER SPRING	
17	UH2252000	1	SPACER 2	
18	UH2254000	2	SPACER 1	
19	T31242001	2	SPACER F	

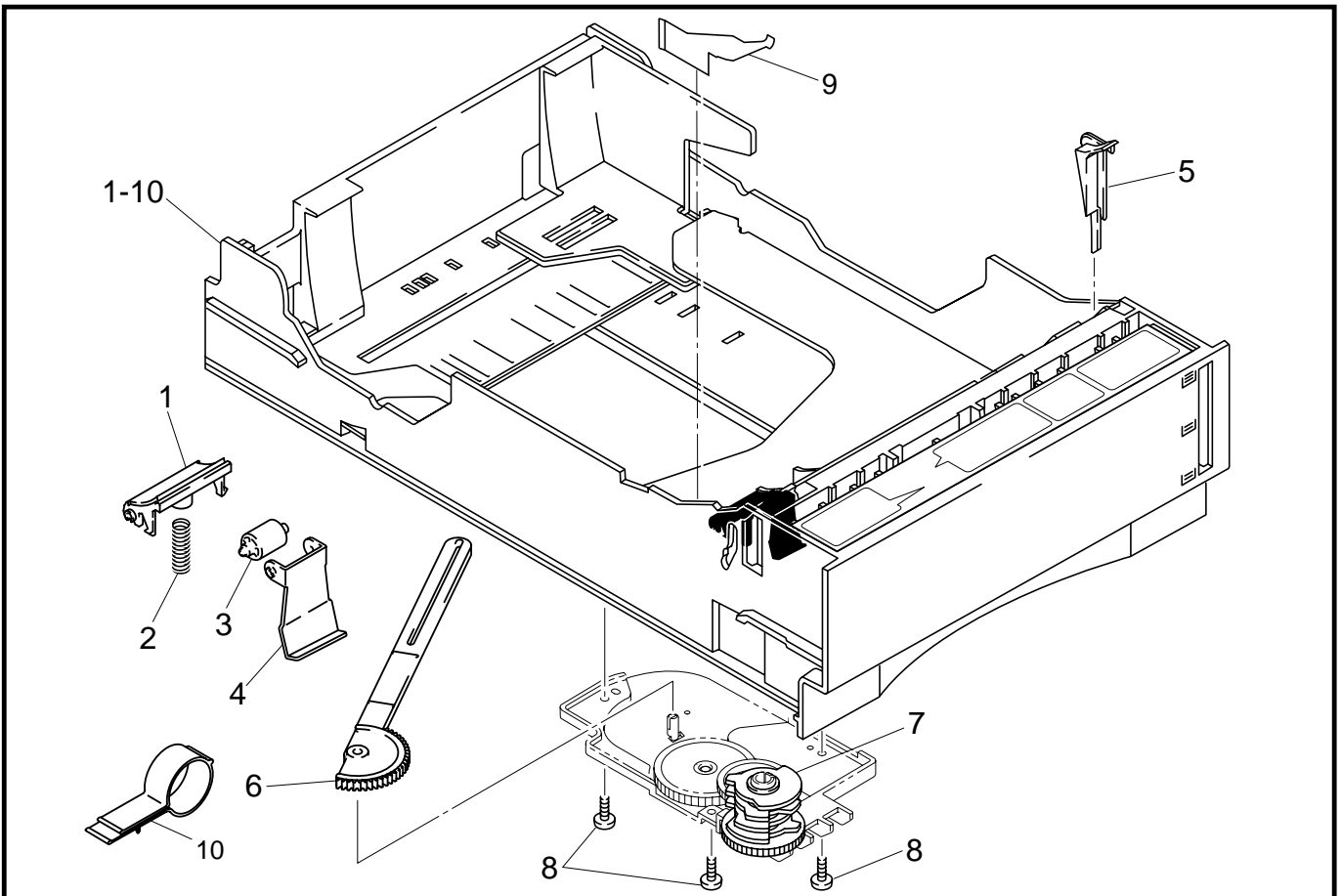
MODEL HL-1260e 54T-U01-500

11 . TRANSFER



MODEL HL-1260e 54T-U01-600

12 . PAPER TRAY



MODEL HL-1260e 54T-U01-650

11. TRANSFER

REF.NO.	CODE	Q'TY	DESCRIPTION	REMARK
1	UH2787001	1	TRANSFER BASE ASSY (SP)	
2	UH1834001	1	TRANSFER ROLLER A ASSY (SP)	
3	087321016	1	TAPTITE, CUP S M3X10	

MODEL HL-1260e 54T-U01-600

T/I NO. PR98174

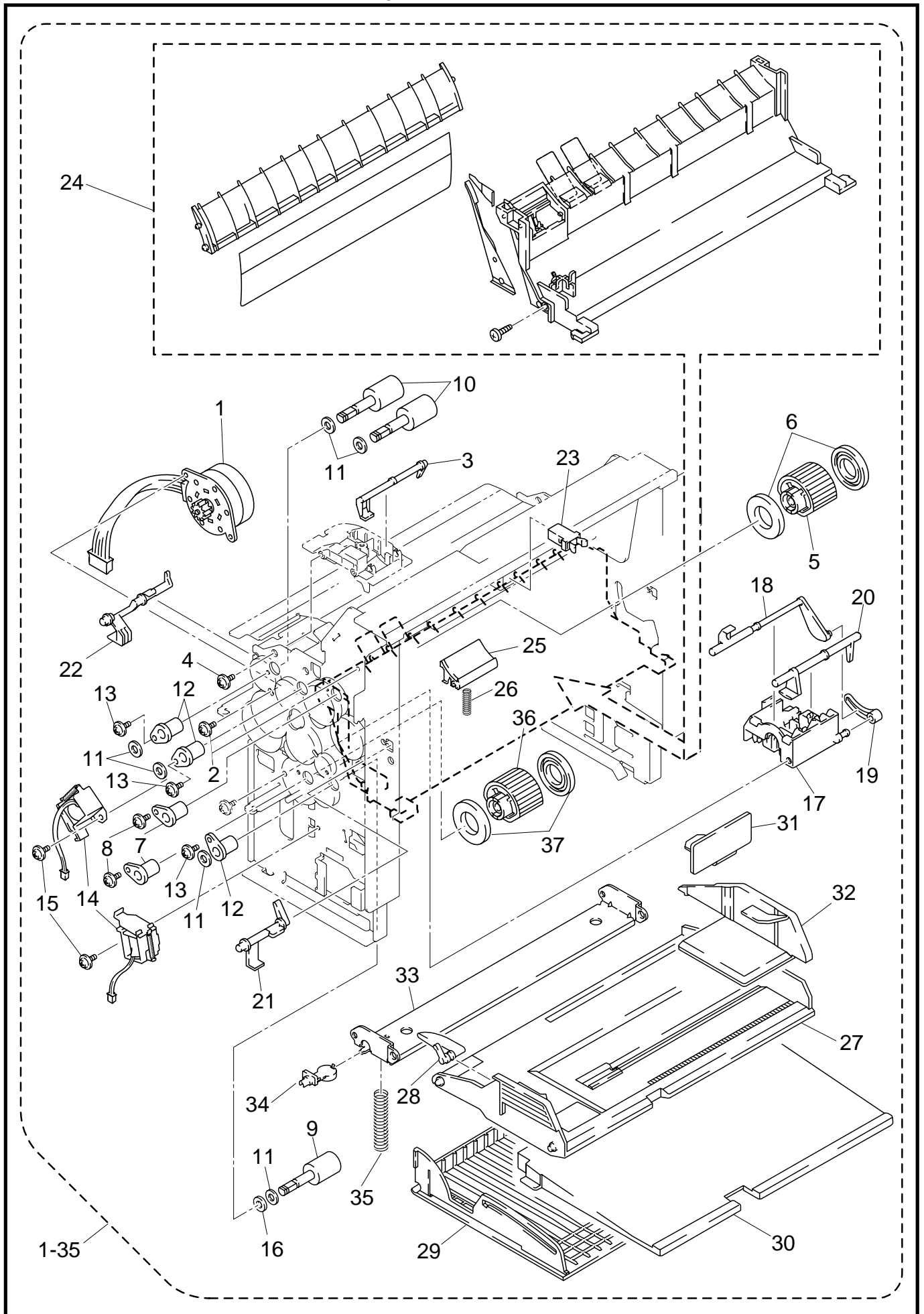
12. PAPER TRAY

REF.NO.	CODE	Q'TY	DESCRIPTION	REMARK
1-10	UH2806001	1	PAPER TRAY UNIT US (SP), USA	
1-10	UH2799001	1	PAPER TRAY UNIT EC (SP), EUR	
1-10	UH2802001	1	PAPER TRAY UNIT CA (SP), CAN	
1-10	UH3374001	1	PAPER TRAY UNIT, ADP	
1	UH2487001	1	SEPARATION PAD ASSY T	
2	UH2490001	1	SEPARATION PAD SPRING T	
3	UH2360000	1	ROLLER	
4	UH2459000	1	ROLLER HOLDER	
5	UH2469000	1	PAPER FRONT GUIDE, BLUE6155	
6	UH2463001	1	GEAR 56T LINK	
7	UH2465001	1	SIZE DRUM	
8	085310815	3	TAPTITE, BIND B M3X8	
9	UH2472001	1	TRAY GUIDE PLATE 1	
10	UH2804001	1	ADJUST KNOB STOPPER	

MODEL HL-1260e 54T-U01-650

TI NO. 96-P077 / 97-P021 / PR98270

13. PAPER FEEDER

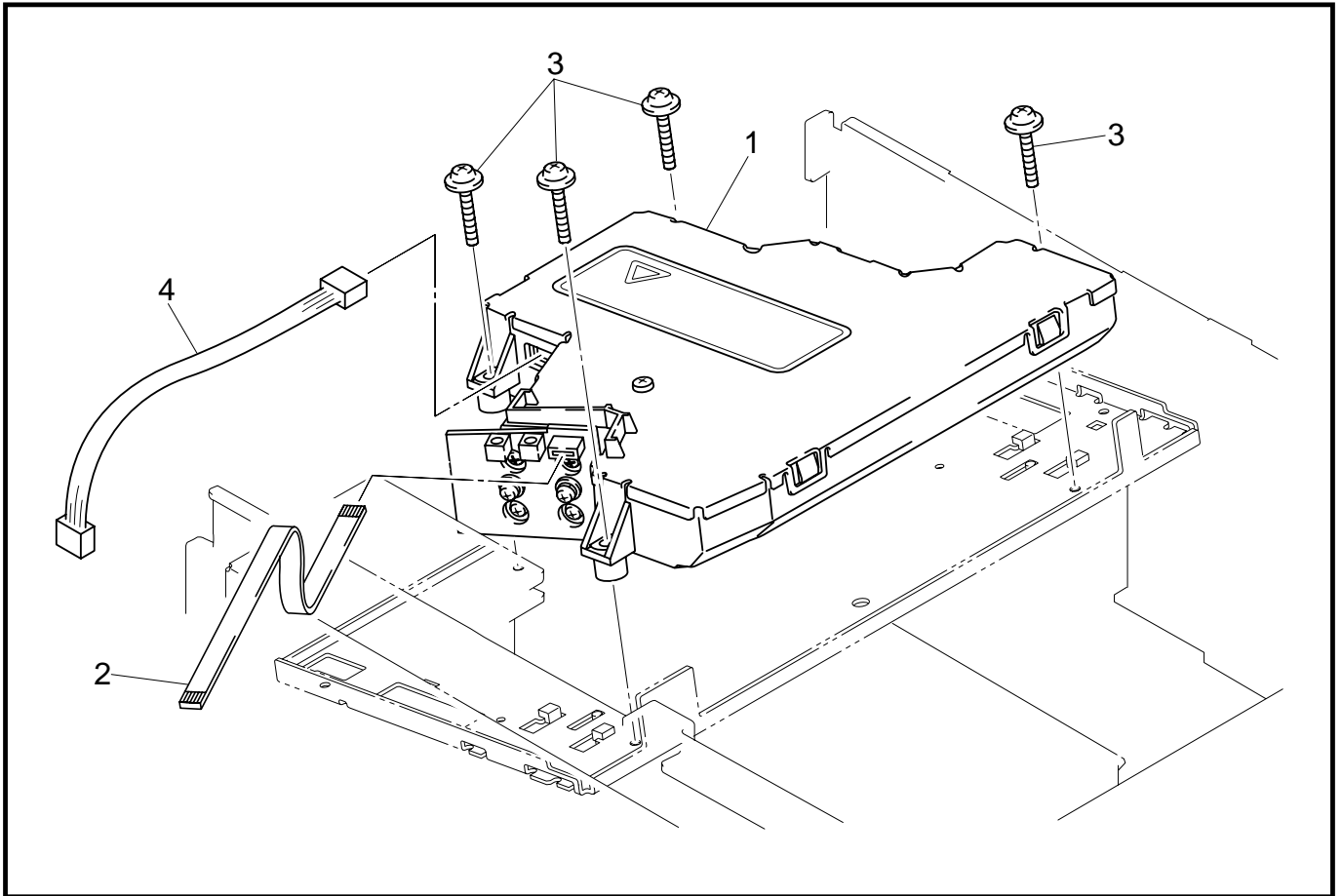


13. PAPER FEEDER

REF.NO.	CODE	Q'TY	DESCRIPTION	REMARK
1-35	UH2824001	1	PAPER FEEDER CHASSIS UNIT 2 (SP) (WITH PCB/SW SPRING/SCREW)	
1	UH2357001	1	PAPER FEED MOTOR ASSY	
2	087320616	2	TAPTITE, CUP S M3X6	
3	UH2359000	1	MP PAPER DETECTION ACTUATOR	
4	085310815	2	TAPTITE, BIND B M3X8	
5	UH2362001	1	PAPER PICK-UP ROLLER ASSY	
6	UH2364001	2	PAPER PICK-UP ROLLER COLLAR	
7	UH2366000	2	BEARING	
8	085320616	2	TAPTITE, BIND S M3X6	
9	UH2416001	1	PAPER FEED ROLLER ASSY 60	
10	UH2367001	2	PAPER FEED ROLLER ASSY 70	
11	UL0633000	6	WASHER, PLAIN	
12	UH2366000	3	BEARING	
13	085320616	3	TAPTITE, BIND S M3X6	
14	UH2369001	2	PAPER PICK-UP SOLENOID	
15	085320416	2	TAPTITE, BIND S M3X4	
16	UH2428000	1	BEARING CALLOR	
17	UH2379000	1	TRAY SENSOR HOLDER	
18	UH2380000	1	PE SENSOR ACTUATOR TRAY	
19	UH2381000	1	PE ACTUATOR LINK	
20	UH2382000	1	DU DETECTION ACTUATOR	
21	UH2383000	1	PE SENSOR ACTUATOR MP	
22	UH2384000	1	REGIST SENSOR ACTUATOR	
23	UH2136001	1	LATCH	
24	UH2797001	1	MP PAPER FEED GUIDE ASSY (SP)	
25	UH2393001	1	SEPARATION PAD ASSY	
26	UH2433001	1	SEPARATION PAD SPRING MP	
27	UH2397001	1	MP TRAY ASSY	
28	UH2400000	1	MP PE SUB ACTUATOR	
29	UH2406000	1	MP TRAY COVER	
30	UH2407000	1	MP EXTENSION TRAY	
31	UH2823001	1	SPACER	
32	UH2401000	1	MP PAPER GUIDE	
33	UH2402000	1	MP RELEASE PLATE	
34	UH2403000	1	MP RELEASE SUPPORTER	
35	UH2404000	1	MP SPRING	
36	UH2821001	1	PAPER PICK-UP ROLLER ASSY 3	
37	UH2822001	2	PAPER PICK-UP ROLLER COLLAR 30	

MODEL HL-1260e 54T-U01-630

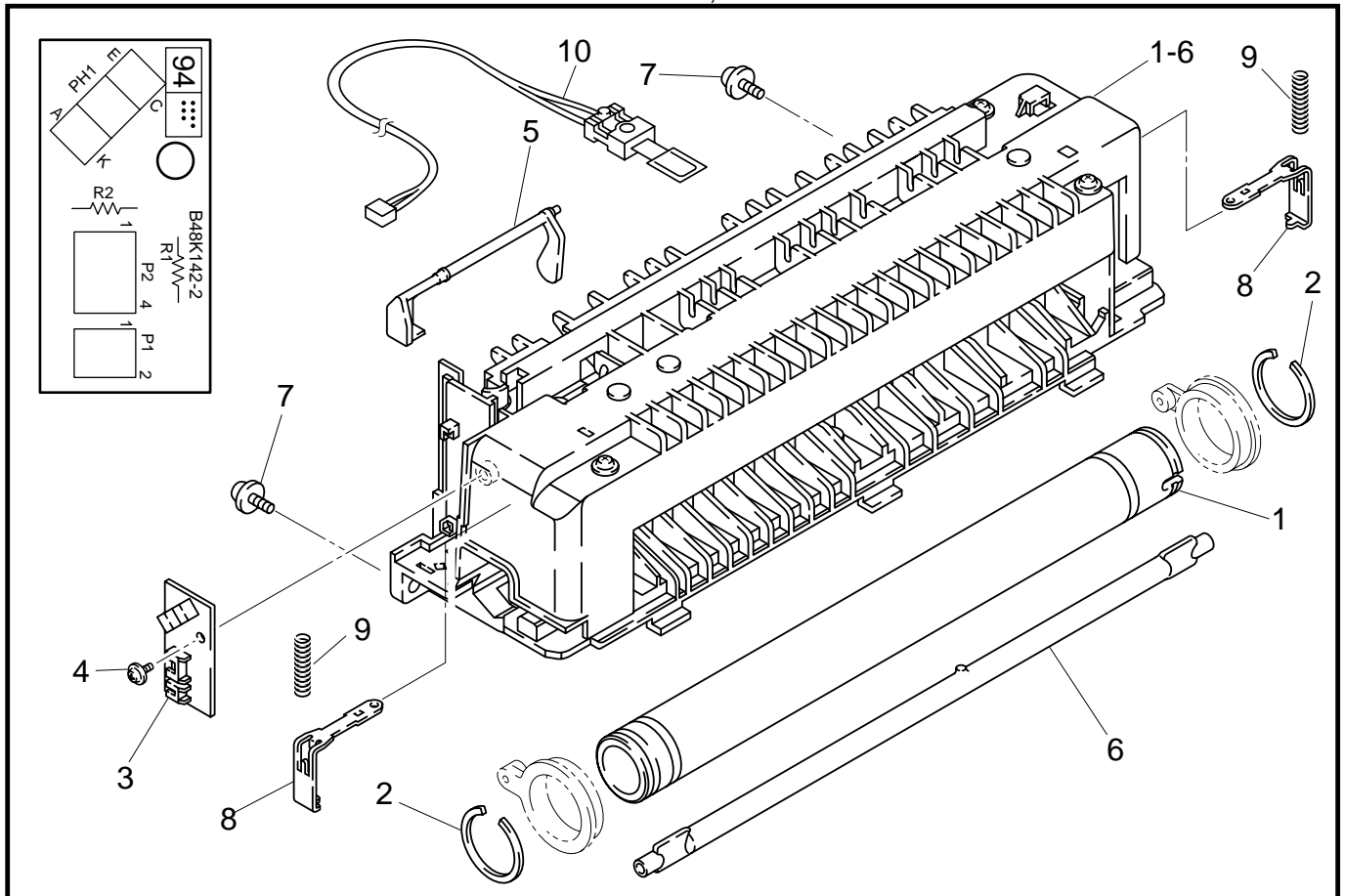
T/I NO. PR97037 / PR97131/ PR98001 / PR98202



MODEL HL-1260e 54T-U01-700

TI No.96-P018

15 . FIXING UNIT,120V/230V



MODEL HL-1260e 54T-U01-770/771

TI No.PR97148, PR98054, PR98061

14. SCANNER

REF.NO.	CODE	Q'TY	DESCRIPTION	REMARK
1	UH2790001	1	SCANNER UNIT ASSY A (SP)	
2	UK2503000	1	SCN FLAT CABLE 6P	
3	087321616	4	TAPTITE, CUP S M3X16	
4	UK2504001	1	SCN HARNESS 4P	

MODEL HL-1260e 54T-U01-700

TI NO. 96-P018

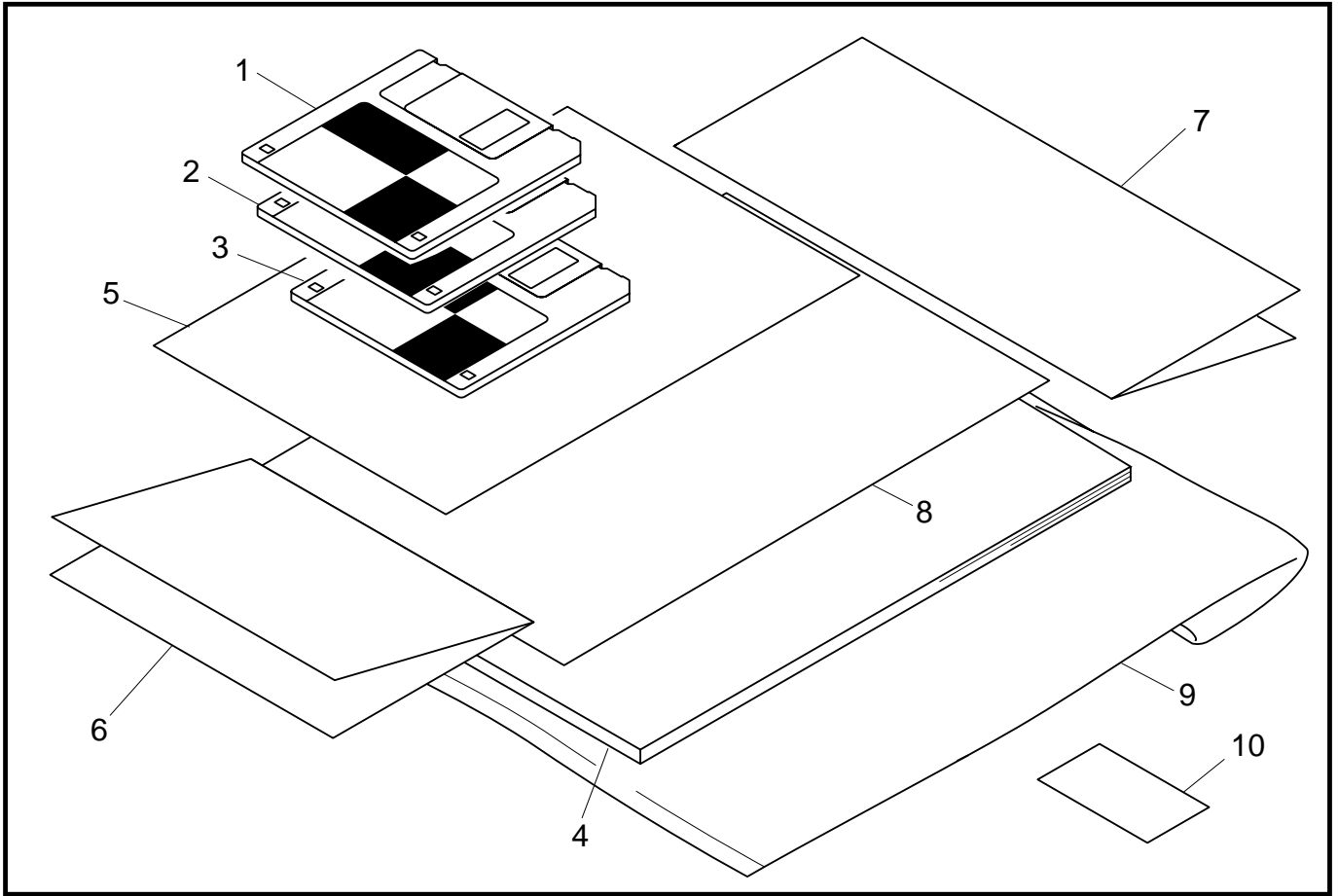
15. FIXING UNIT, 120V/230V

REF.NO.	CODE	Q'TY	DESCRIPTION	SYMBOL	REMARK
1-6	UH2791001	1	FIXING UNIT, 120V (SP)		
1-6	UH2792001	1	FIXING UNIT, 230V (SP)		
1	UH2793001	1	HEAT ROLLER (SP)		
2	UH2608001	2	RETAINING RING, 25		
3	UK2451001	1	FIXING PCB ASSY	B48K142-200	
4	085310815	1	TAPTITE, BIND B M3X8		
5	UH2623001	1	PAPER DELIVERY ACTUATOR		
6	UH2794001	1	HALOGEN HEATER, 120V (SP)		
6	UH2795001	1	HALOGEN HEATER, 230V (SP)		
7	087421015	2	TAPTITE, CUP S M4X10		
8	UH2645001	2	HEATER SUPPORT SPRING S		
9	UH2646001	2	HEATER SUPPORT SPRING S #2		
10	UH2628001	1	THERMISTOR ASSY PT7		

MODEL HL-1260e 54T-U01-770/771

T/I NO. PR97148, PR98054, PR98061

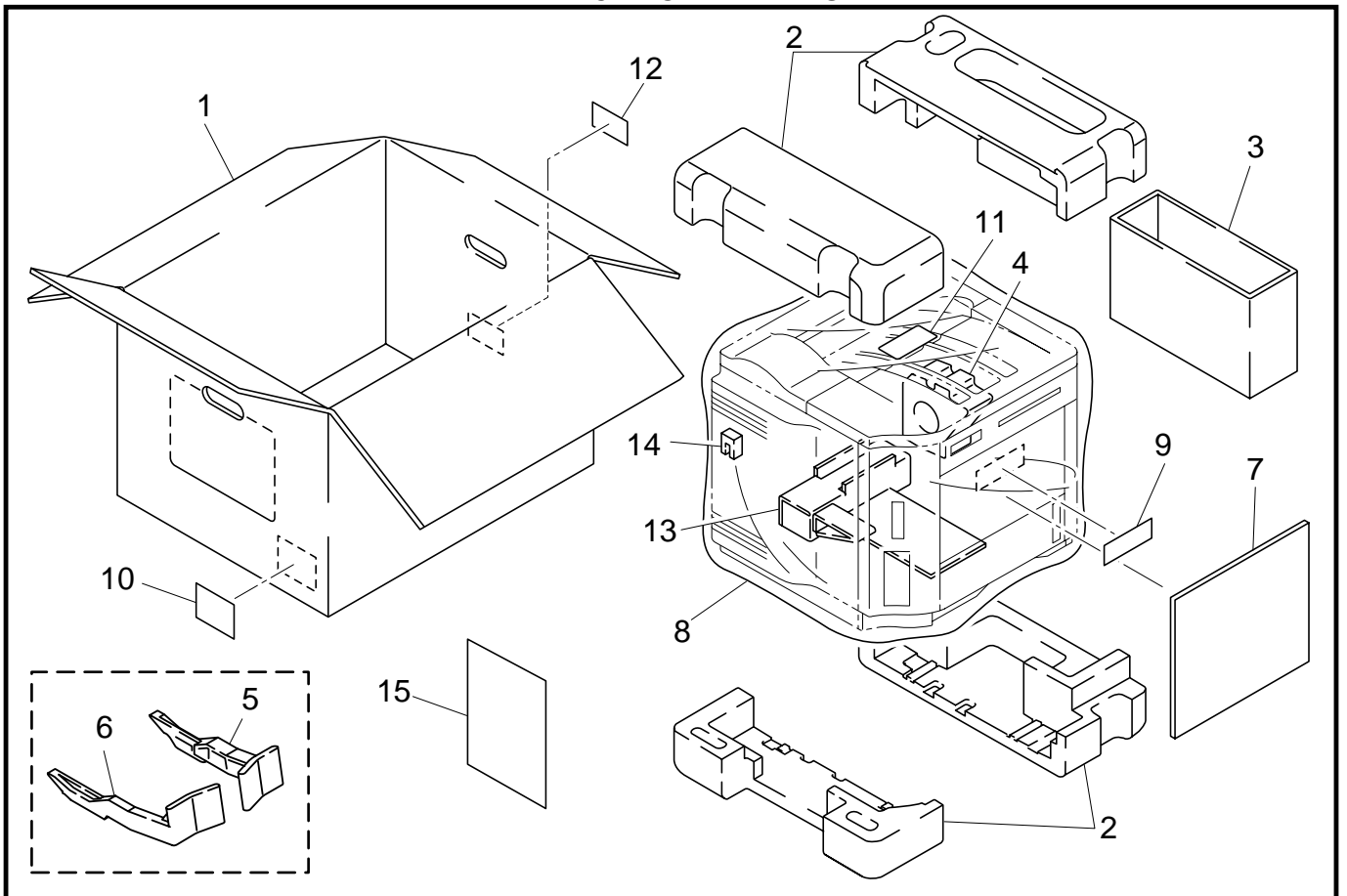
16 . DOCUMENTS



MODEL HL-1260e 54T-U01-920

TI No.96-P044 / 97-P009

17 . PACKING MATERIALS



MODEL HL-1260e 54T-U01-930

16. DOCUMENTS

REF.NO.	CODE	Q'TY	DESCRIPTION	REMARK
1	UK3208001	1	PR DRIVER DISK #1, HL-1260E(FIRST PART 1/2)	
2	UK3210001	1	PR DRIVER DISK #2, HL-1260E(LATTER PART 2/2)	
3	UK3198001	1	OP EXPLANATION DISK, ENG HL-1260e	
3	UK3204001	1	OP EXPLANATION DISK, DEU HL-1260e	
3	UK3200001	1	OP EXPLANATION DISK, FRA HL-1260e	
3	UK3202001	1	OP EXPLANATION DISK, NLD HL-1260e	
3	UK3206001	1	OP EXPLANATION DISK, NOR HL-1260e	
4	UH2696001	1	USER'S MANUAL, ENG	
4	UH2697001	1	USER'S MANUAL, DEU	
4	UH2698001	1	USER'S MANUAL, FRA	
4	UH2699001	1	USER'S MANUAL, NLD	
4	UH2700001	1	USER'S MANUAL, NOR	
5	UK3193001	1	PR DRIVER SET UP, ENG HL-1260e	
5	UK3196001	1	PR DRIVER SET UP, DEU HL-1260e	
5	UK3194001	1	PR DRIVER SET UP, FRA HL-1260e	
5	UK3195001	1	PR DRIVER SET UP, NLD HL-1260e	
5	UK3197001	1	PR DRIVER SET UP, NOR HL-1260e	
6	UL5532001	1	WARRANTY CARD, USA	
6	UH2693001	1	WARRANTY CARD, CAN	
6	UL7581001	1	WARRANTY CARD, FRA2	
6	237703001	1	WARRANTY CARD, DUTCH	
7	UL5533001	1	SERVICE CARD 2, USA	
8	UH1392001	1	EPA INSERTION SHEET, USA	
9	UE0331001	1	BAG, 215X350H (USER'S MANUAL)	
10	163528001	1	CAUTION LABEL, BS	

MODEL HL-1260e 54T-U01-920

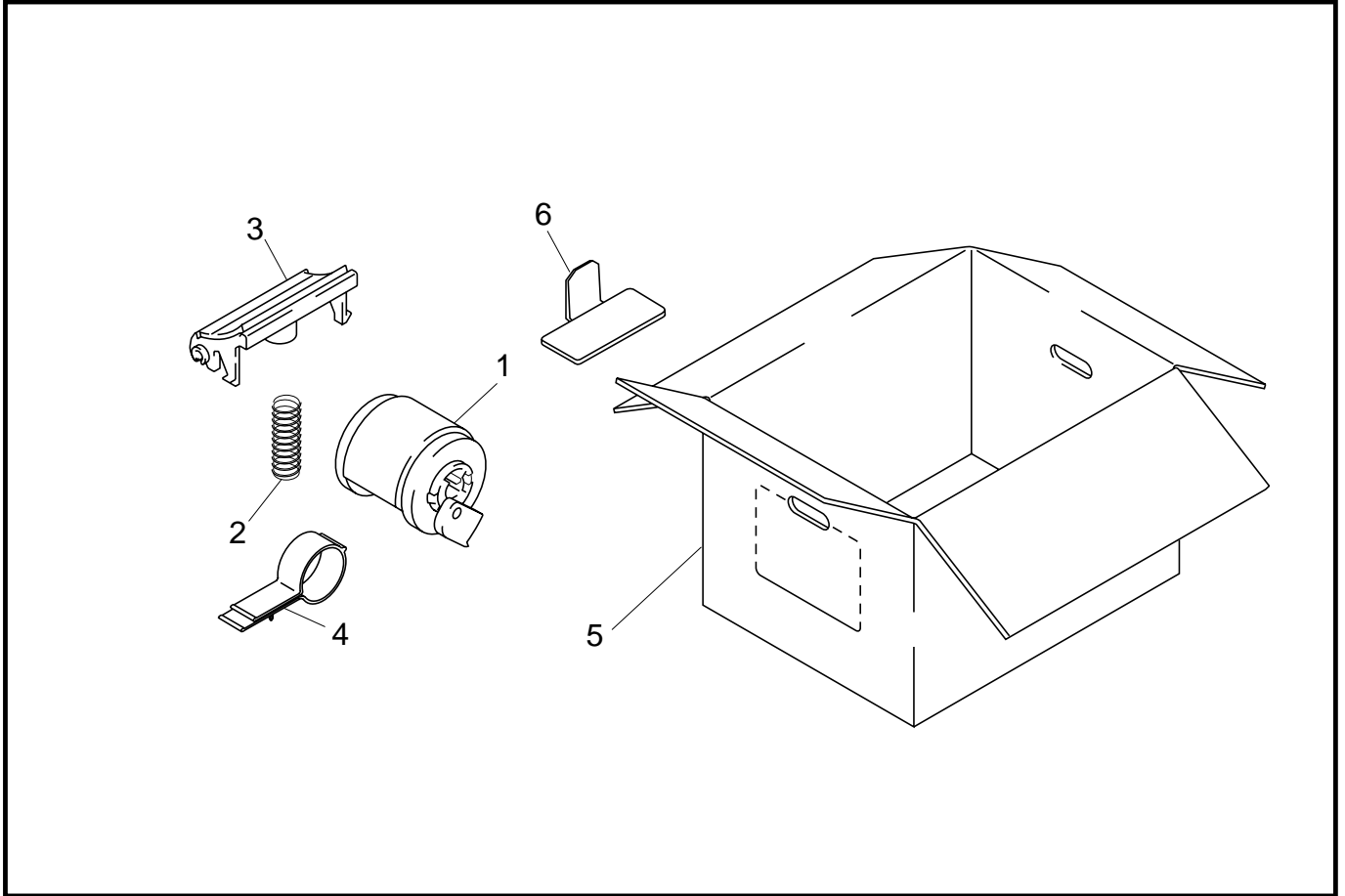
TI NO. 96-P044 / 96-P063 / 97-P009 / 97-P020 / 97-P038

17. PACKING MATERIALS

REF.NO.	CODE	Q'TY	DESCRIPTION	REMARK
1	UE0490001	1	CARTON, US W/EP-ED HL-1260e	
1	UE0491001	1	CARTON, EU W/EP-ED HL-1260e	
2	UE0370000	1	STYROFOAM PAD ASSY	
3	UE0374000	1	CARTON, TNR CARTRIDGE (W/CARTRIDGE)	
3	UE0476000	1	CARTON, TNR CARTRIDGE (W.O/CARTRIDGE)	
4	UE0376000	1	STYROFOAM PAD (PLATE HOLDER)	
5	UH2735001	1	RELEASE SPACER R	
6	UH2736001	1	RELEASE SPACER L	
7	UE0396000	1	PAD (CONTROL PANEL)	
8	UE0477000	1	BAG, 900X800 (BODY)	
8	U63969000	1	BAG, 900X800 BS W/HOLE (BODY)	
9	U62092001	1	CAUTION LABEL 24, US	
9	163528001	1	CAUTION LABEL BS	
10	U04510001	1	IMPORTER LABEL, CAN	
11	X60267002	1	RECYCLE LABEL, DEU/FRA	
12	UH2743001	1	BAR CODE LABEL, 524236 UPC USA 1260e	
12	UH2744001	1	BAR CODE LABEL, 525480 EAN EU 1260e	
13	UE0405000	1	PAD (LETTER SIZE TRAY)	
13	UE0406000	1	PAD (A4 SIZE TRAY)	
14	UE0425001	1	POSITION FIXING SPONGE	
15	UH2741001	1	INSERTION SHEET	

MODEL HL-1260e 54T-U01-930

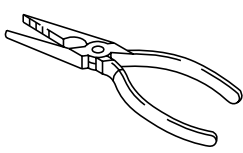
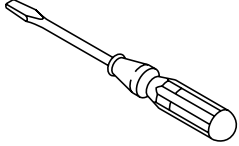
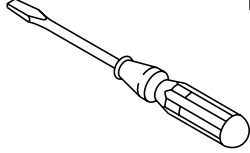
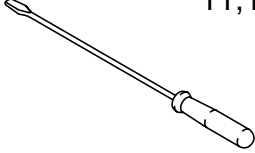
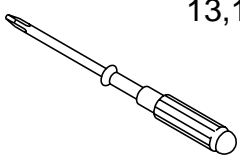
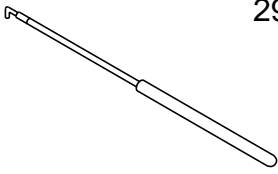
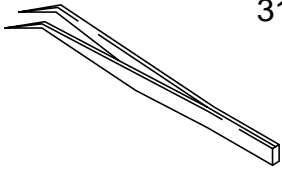
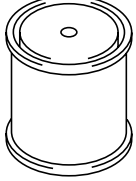
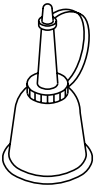
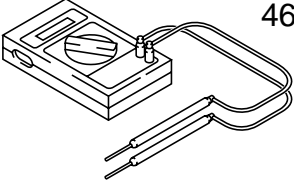
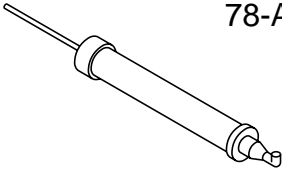
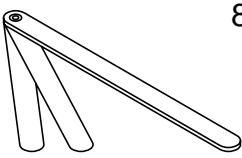
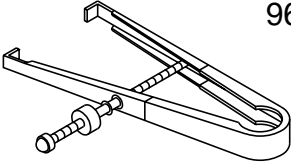
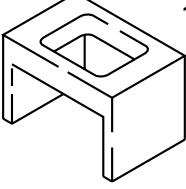
18 . OPTIONAL PARTS SET



TI NO. 97-P066

MODEL HL-1260e 54T-U01-940

19 . ADJUSTING TOOL KIT

 1	 9	 10	 11,12
 13,14	 29	 31	 43-D,N,O
 44	 46	 78-A	 87
 96	 164		

MODEL HL-1260e 54T-U01-99A

T/I NO. PR98047

18. OPTIONAL PARTS SET

REF.NO.	CODE	Q'TY	DESCRIPTION	REMARK
1	UH2820001	1	PAPER PICK-UP ROLLER UNIT 2 (SP)	
2	UH1778001	1	SEPARATION PAD SPRING DX (SP)	
3	UH1772001	1	SEPARATION PAD DX ASSY (SP)	
4	UH2804001	1	ADJUST KNOB STOPPER (SP)	
5	UE0368001	1	CARTON, US W/EP-ED HL-1260 (SP)	
5	UE0369001	1	CARTON, EU W/EP-ED HL-1260 (SP)	
6	UH2823001	1	SPACER	

MODEL HL-1260e 54T-U01-940

TI NO. 97-P066, PR98065

19. ADJUSTING TOOL KIT

TOOL NO.	TOOL NAME	REMARK
ZX-1	PLIERS (150MM)	
ZX-9	SCREWDRIVER (75MM)	
ZX-10	SCREWDRIVER (70MM)	
ZX-11	SCREWDRIVER (4.7X270MM)	
ZX-12	SCREWDRIVER, (6.2X200MM)	
ZX-13	SCREWDRIVER, PHILLIPS (NO-1)	
ZX-14	SCREWDRIVER, PHILLIPS (NO-2)	
ZX-29	HOOK FOR SPRING	
ZX-31	TWEEZERS (150MM)	
ZX-43D	LUBRICATING GREASE(SILICON G,KS64F 0.1KG)	
ZX-43N	LUBRICATING GREASE(MOLYKOTE EM-30L TKC-0) 1KG	
ZX-43O	LUBRICATING GREASE(MOLYKOTE D110) 1KG	
ZX-44	OILER	
ZX-46	TESTER (MD-200C)	
ZX-78A	BAR TENSION GAUGE (0.1-5KG)	
ZX-87	THICKNESS GAUGE (0.28-0.38MM)	
ZX-96	IC PULL OUT (P42)	
ZX-164	PF UNIT SETTING JIG	

MODEL HL-1260e 54T-U01-99A

T/I NO. PR98047